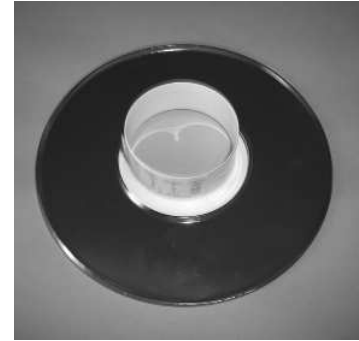


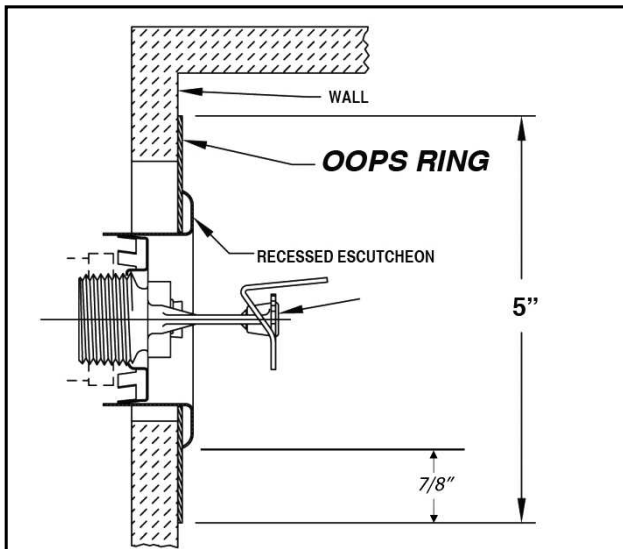
data sheet



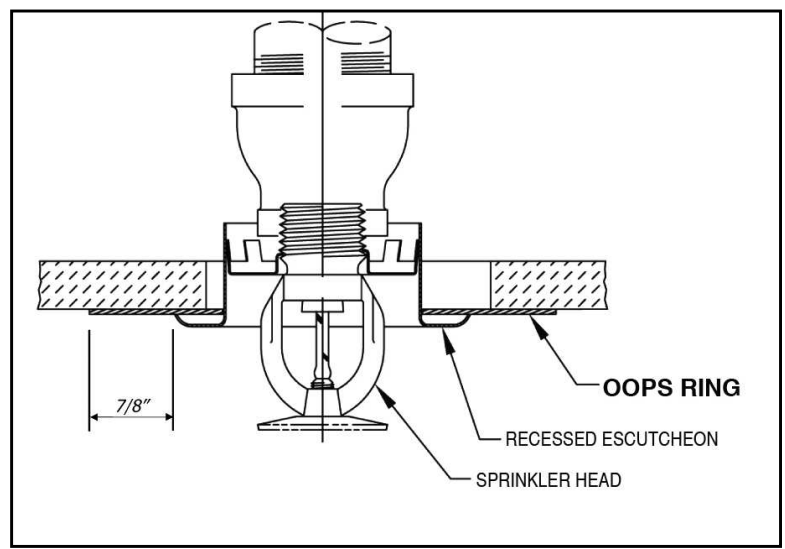
OOPS RING



- Conceal oversized holes in wall or ceiling.
- Simply install between recessed escutcheon and sprinkler head.
- Fire resistant chrome plated steel plate 1/16" thick x 2-3/8" Inner Dimension x 5" Outer Dimension.
- Creates a separation between escutcheon and ceiling for seismic applications.



Side Wall Application



Ceiling Application

The information contained herein is produced in good faith and is believed to be reliable but is for guidance only. ARGCO and its agents cannot assume liability or responsibility for results obtained in the use of its product by persons whose methods are outside or beyond our control. It is the user's responsibility to determine the suitability of any of the products, methods of use, or preparation prior to use, mentioned in our literature. It is the user's responsibility to observe and adapt such precautions as may be advisable for the protection of personnel and property in the handling and use of any of our products.

**FOR MORE INFORMATION CALL ARGCO AT 1-800-854-1015
OR LOG ONTO WWW.ARGCO.COM**