

ARGCO



- 1 FIRE DEPARTMENT CONNECTIONS
- 3 FDC ACCESSORIES
- 4 OUTLET CONNECTIONS
- 4 HOSE VALVES
- 5 ADAPTERS
- 6 STORZ CONNECTIONS
- 7 FIRE HOSE, NOZZLES, RACKS, ETC.

FIRE EQUIPMENT



800-854-1015

www.argco.com



FIRE DEPARTMENT INLET CONNECTIONS

1-A STRAIGHT PATTERN FDC BODIES

2-Way Straight Pattern Single Clapper

65-10-200: 4" (F) NPT outlet x 2-1/2"(F) x 2-1/2"(F) NST

Finish: rough brass, polished brass,
chrome plated brass, polished chrome

Branding: "AUTO-SPKR"

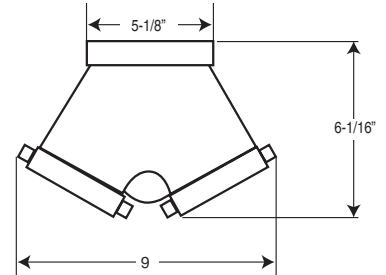
City threads: Chicago, Cincinnati, Cleveland, Denver,
Detroit, Louisville, New York Corp, New York FD,
Phoenix, Pittsburgh, Pueblo, Raleigh, Toledo



File EX 4316



JOIV4A9.AH



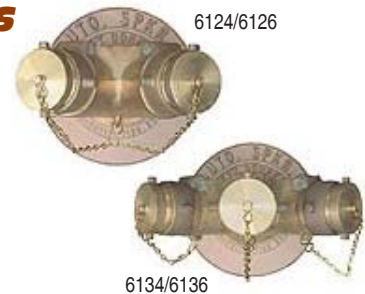
1-B TWO & THREE WAY MULTI-CLAPPER CONNECTIONS

Complete with snoots, plugs & I.D. Plate

Provides 250 GPM flow (minumum), per 2-1/2" inlet

Features clappered brass bodies (straight pattern), with female hose thread inlets and female NPT outlets.

PART #	SIZE	CLAPPERS	DEPTH	WIDTH	WALLPLATE WIDTH
65-10-240-4	4" x 2-1/2" x 2-1/2"	2	7-5/8"	10-1/2"	10"
65-10-240-6	6" x 2-1/2" x 2-1/2"	2	8"	10-1/2"	11-1/4"
65-10-241-4	4" x 2-1/2" x 2-1/2" x 2-1/2"	3	10-7/8"	13-3/4"	10"
65-10-241-6	6" x 2-1/2" x 2-1/2" x 2-1/2"	3	11-1/4"	13-3/4"	11-1/4"



1-C 90° PATTERN FDC BODIES

2 Way 90 Degree Pattern Single Clapper

65-10-205: 4" (F) NPT outlet x 2-1/2"(F) x 2-1/2"(F) NST

Finish: rough brass, polished brass,
chrome plated brass, polished chrome

Branding: "AUTO-SPKR"

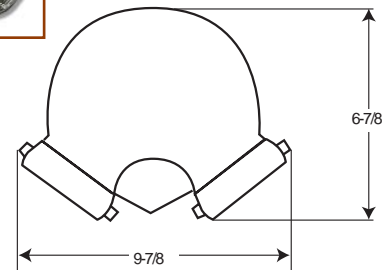
City threads: Chicago, Cincinnati, Cleveland,
Denver, Detroit, Louisville, New York Corp,
New York FD, Phoenix, Pittsburgh, Pueblo,
Raleigh, Toledo



File EX 4316



JOIV4A9.AH



1-D 90° TWO & THREE WAY SIDEWALK CONNECTIONS

Complete with female hose thread inlet snoots, plugs with chains,
18" cover sleeve & I.D. Plate

- Provides 250 GPM flow (minumum), per 2-1/2" inlet
- Features brass bodies with integral drop-clapper inlets and female NPT outlets.

PART #	SIZE	CLAPPERS	OVERALL HEIGHT	RADIUS OF BODY SWING
65-10-245-4	4" x 2-1/2" x 2-1/2"	2	24"	6-3/4"
65-10-245-6	6" x 2-1/2" x 2-1/2"	2	24"	7-1/4"
65-10-246-4	4" x 2-1/2" x 2-1/2" x 2-1/2"	3	24"	7"
65-10-246-6	6" x 2-1/2" x 2-1/2" x 2-1/2"	3	24"	7"

Four and Six Way connections available, call for details



800-854-1015

www.argco.com

FAX 760-727-3270

2-A FLUSH STRAIGHT PATTERN INLET CONNECTIONS

Flush mount double clapper fire department connection. Double clapper design ensures water supply from supplementary source from either one or two servicing hoses. Inlet Connection allows in excess of 500 G.P.M. supplementary water supply for fire protection system.

- 65-10-260: 2 way straight pattern body 4" grooved outlet x 2-1/2" (F) NST
- 65-10-260C: 2 way straight pattern body 4" grooved outlet x 2-1/2" (F) NST complete
(includes snoots, plugs, wallplate: "AUTO SPKR" or "STANDPIPE" or "AUTO SPKR/STANDPIPE")
- 65-10-261: 3 way straight pattern body 4" grooved outlet x 2-1/2" (F) NST complete
(includes snoots, plugs, wallplate: "AUTO SPKR" or "STANDPIPE" or "AUTO SPKR/STANDPIPE")
- 65-10-262C: 4 way straight pattern body 4" grooved outlet x 2-1/2" (F) NST complete
(includes snoots, plugs, wallplate: "AUTO SPKR" or "STANDPIPE" or "AUTO SPKR/STANDPIPE")



2-B FLUSH 90° PATTERN INLET CONNECTIONS

Flush mount double clapper fire department connection. Double clapper design ensures water supply from supplementary source from either one or two servicing hoses. Inlet Connection allows in excess of 500 G.P.M. supplementary water supply for fire protection system. Angle body and field adjustable clappers allow for a top or bottom inlet.

- 65-10-265: 2 way 90° pattern body 4" grooved outlet x 2-1/2" (F) NST
- 65-10-265C: 2 way 90° pattern body 4" grooved outlet x 2-1/2" (F) NST complete
(includes snoots, plugs, wallplate: "AUTO SPKR" or "STANDPIPE" or "AUTO SPKR/STANDPIPE")
- 65-10-266: 3 way 90° pattern body 4" grooved outlet x 2-1/2" (F) NST complete
(includes snoots, plugs, wallplate: "AUTO SPKR" or "STANDPIPE" or "AUTO SPKR/STANDPIPE")
- 65-10-267: 4 way 90° pattern body 4" grooved outlet x 2-1/2" (F) NST complete
(includes snoots, plugs, wallplate: "AUTO SPKR" or "STANDPIPE" or "AUTO SPKR/STANDPIPE")



2-C SINGLE INLET FIRE DEPARTMENT CONNECTIONS

1-1/2" SINGLE INLET RESIDENTIAL CONNECTION

Straight-through, non-clappered design with female outlets
Exposed type for residential "Automatic" sprinkler systems.

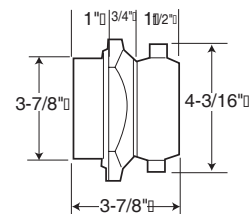
- 65-10-201:
1-1/2" (F) outlet x 1-1/2" swivel (F) NST
Includes: 1-1/2" plug with chain and 4-7/16" O.D. round wallplate "AUTO SPKR"
Finish: rough brass



2-1/2" SINGLE INLET CONNECTION

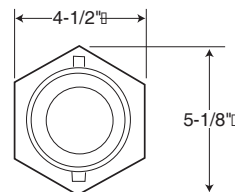
- 65-10-202:
2-1/2" (F) outlet x 2-1/2" (F) NST snoot & swivel
Finish: rough brass, polished brass, chrome plated brass

City threads: Chicago, Cincinnati, Cleveland, Denver, Detroit, Louisville, New York Corp, New York FD, Phoenix, Pittsburgh, Pueblo, Raleigh, Toledo



2-1/2" SINGLE INLET CONNECTION - COMPLETE

- 65-10-202C:
2-1/2" (F) outlet x 2-1/2" (F) NST snoot & swivel
Includes: 2-1/2" plug with chain & wallplate: "AUTO SPKR"



FDC ACCESSORIES

3-A CLAPPERED SNOOTS

For backflow check

- 65-10-248-IPS: 2-1/2" (F) swivel inlet x 3" (F) IPS
- 65-10-248-NPT: 2-1/2" (F) swivel inlet x 3" (M) NPT
- 65-10-248-GR: 2-1/2" (F) swivel inlet x 3" grooved end



3-B FDC WALL PLATES

- 65-10-310: 2-1/2" round (Brass) "AUTO SPKR"
- 65-10-311: 2-1/2" round (Chrome Plated Brass) "AUTO SPKR"
- 65-10-330: 4" x 10" round (Red Aluminum) "AUTO SPKR"
- 65-10-340: 4" x 10" round (Red Plastic) "AUTO SPKR"
- 65-10-350: 4" x 10" round (Brass) "AUTO SPKR"
- 65-10-360: 4" x 10" round (Chrome Plated Brass) "AUTO SPKR"
- 65-10-370: 4" x 10" round (Polished Chrome) "AUTO SPKR"

Available branding: Auto Sprinkler, Standpipe, Standpipe/Auto Sprinkler



**PERSONALIZATION
AVAILABLE**

3-C FDC PLUGS

Male plug to cover FDC

- 65-10-400: 1-1/2" (M) plug with chain
 - 65-10-410: 2-1/2" (M) plug with chain
- finishes: Polished brass and polished chrome
 City threads: Chicago, Cincinnati, Cleveland, Denver, Detroit, Louisville, New York Corp, New York FD, Phoenix, Pittsburgh, Pueblo, Raleigh, Toledo



3-D FDC BREAK CAPS

Breakable Red Caps

Eye bolts and nuts included.

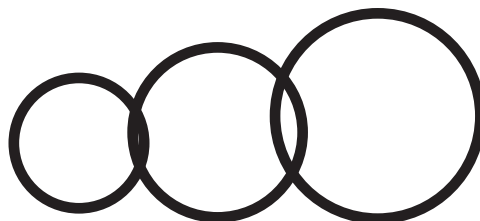
- 65-10-450: 2-1/2" aluminum
- 65-10-451: 2-1/2" plastic



3-E FDC SWIVEL GASKETS

Black EPDM Neoprene

- 15-99-100: 1-1/2"
- 15-99-101: 2-1/2"
- 15-99-102: 3-1/2"



OUTLET CONNECTIONS (HYDRANTS)

4-A SINGLE OUTLET CONNECTIONS

Single Outlet Connection

65-20-037: Single outlet hydrant 2-1/2" (F)NPT x 2-1/2" (M) NST
Finish: rough brass, polished brass, chrome plated brass

65-20-037C: Single outlet hydrant 2-1/2" (F)NPT x 2-1/2" (M) NST complete
Includes cap and chain and wallplate "WALL HYDRANT"
Finish: rough brass, polished brass, chrome plated brass



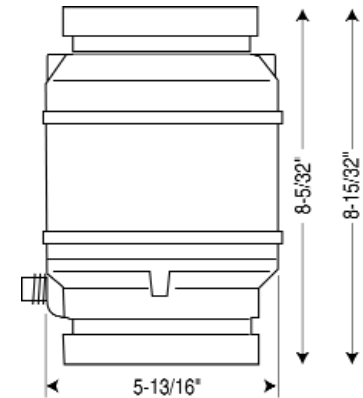
4-B CHECK VALVES



- 300 p.s.i. rated pressure
- Vertical or horizontal installation
- Spring loaded

65-10-210: 4" groove x groove swing check valve
Finish: rough brass

Finish: rough brass



4-C BALL DRIP VALVES

65-20-180: 1/2" x 1/2" straight ball drip valve
65-20-18A: 3/4" x 3/4" straight ball drip valve



4-D HOSE VALVES

Angle Hose Valves and Straight Hose Valves
Aluminum handwheel
300 PSI pressure rating

65-20-005: Angle Hose Valve 1-1/2" (F) NPT x 1-1/2"(M) NST

65-20-004: Angle Hose Valve 1-1/2" (F) NPT x 1-1/2"(M) NPT

65-20-010: Angle Hose Valve 2-1/2" (F) NPT x 2-1/2"(M) NST

65-20-014: Straight Hose Valve 2-1/2"(F) NPT x 2-1/2"(M) NST

Finish: cast brass

Available chrome plated brass

City threads: Chicago, Cincinnati, Cleveland, Denver, Detroit, Louisville, New York Corp, New York FD, Phoenix, Pittsburgh, Pueblo, Raleigh, Toledo

Pressure Restricting Valves

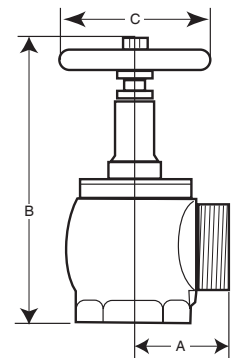
65-20-011: 1-1/2"(F) NPT x 1-1/2"(M) NST

65-20-012: 2-1/2"(F) NPT x 2-1/2"(M) NST

65-20-004: 1-1/2"(F) NPT x 1-1/2"(M) NPT

65-20-013: Pressure Regulating Valve

Finish: cast brass



	A	B	C
1-1/2"	2-7/32"	7-21/32"	3-3/4"
2-1/2"	3-3/16"	11"	5"

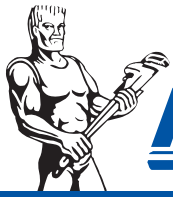


Hydrant Gate Valve

65-20-020: 2-1/2"(F) NST x 2-1/2"(M) NST
with Speed Handle

Finish: cast brass

City threads available



ARGCO



OUTLET ACCESSORIES

5-A FIRE HOSE CAPS

- 65-20-025: 1-1/2" NST cap and chain brass
- 65-20-026: 1-1/2" NST cap and chain plastic
- 65-20-030: 2-1/2" NST cap and chain brass
- 65-20-031: 2-1/2" NST cap and chain plastic

Finishes:

Brass caps available rough brass or chrome
 Plastic caps available red or brass



City threads: Chicago, Cincinnati, Cleveland, Denver, Detroit, Louisville, New York Corp, New York FD, Phoenix, Pittsburgh, Pueblo, Raleigh, Toledo

5-B ADAPTERS

REDUCING ADAPTERS

- 65-20-035: reducer 2-1/2" (F) NST x 1-1/2" (M) NST
- 65-20-035-NPSH: reducer 2-1/2" (F) NST x 1-1/2" (M) NPSH
- 65-20-036: reducer 2-1/2" (F) NST x 2" (M) NPT
- 65-20-035-GHT: reducer 2-1/2" (F) NST x 3/4" (M) GHT

Finishes: Cast brass, polished brass available



Reducing Adapter



MxM

SWIVEL ONLY

- 65-20-035SW: 2-1/2" NST swivel
- 65-20-035___: 2-1/2" city thread

Finishes: Polished brass, polished chrome available



Swivel Only



FxF



FxM

HEX ADAPTERS

- 65-20-037M: 2-1/2" (M) NPT x (M) NST
- 65-20-038M: 1-1/2" (M) NPT x (M) NST
- 65-20-037F: 2-1/2" (F) NPT x (F) NST
- 65-20-038F: 1-1/2" (F) NPT x (F) NST
- 65-20-037: 2-1/2" (F) NPT x (M) NST
- 65-20-038: 1-1/2" (F) NPT x (M) NST

Finishes: Cast brass, polished brass available

City threads: See below

5-C HOSE RACK NIPPLES

FIRE HOSE RACK NIPPLES

- 65-20-040: 1-1/2" (M) NPT x 1-1/2" (M) NST
- 65-20-041: 1-1/2" (F) NPT x 1-1/2" (M) NST
- 65-20-042: 2-1/2" (M) NPT x 2-1/2" (M) NST

Finish: Polished Brass



ARGCO

FDC CITY THREADS

CITY THREADS: ADD SUFFIX FROM BELOW TO PART NUMBER

CHICAGO - CHI
 CINCINNATI - CIN
 CLEVELAND - CLE
 DENVER - DEN
 DETROIT - DET
 LOUISVILLE - LOU

NEW YORK CORP - NYC
 NEW YORK FD - NY
 PHOENIX - PHX
 PITTSBURGH - PIT
 PUEBLO - PUE
 RALEIGH - RAL

TOLEDO - TOL

800-854-1015

www.argco.com

FAX 760-727-3270

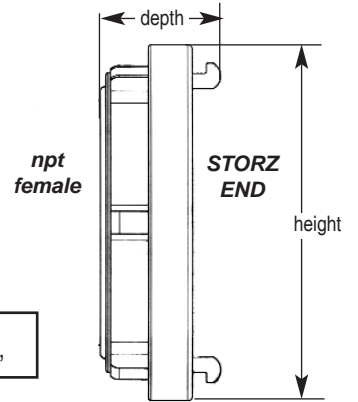
STORZ CONNECTIONS

6-A STRAIGHT RIGID STORZ



Lightweight aluminum alloy - hardcoated to reduce corrosion and abrasion

Available with screen



STRAIGHT RIGID THREAD WITH ROCKER LUG

65-10-220: 4" storz x 4" NPT (F) rocker lug

65-10-221: 5" storz x 4" NPT (F) rocker lug

size	depth	height
4" x 4"	2-1/4"	6-1/8"
5" x 4"	3-1/8"	7-11/16"

6-B 30° ELBOW WITH SWIVEL NPT FEMALE

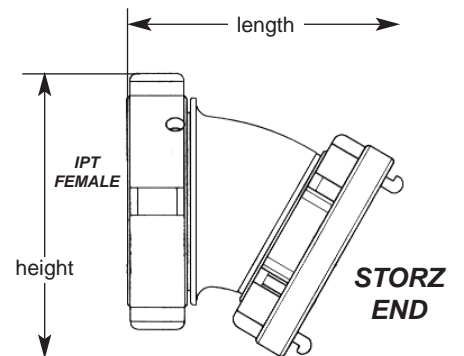


Lightweight aluminum alloy - hardcoated to reduce corrosion and abrasion alloy

65-10-232: 4" storz x 4" swivel IPT (F) 30 degree elbow

65-10-233: 5" storz x 4" swivel IPT (F) 30 degree elbow

size	length	height
4" x 4"	7-12"	7-5/8"
5" x 4"	9-5/32"	8-3/8"



STORZ SCREEN

Storz Screen

Stainless steel mesh screen

Prevents vandalism
& plugging



65-10-220S: 4" storz x 4" NPT (F) with screen

65-10-221S: 5" storz x 4" NPT (F) with screen

65-10-232S: 4" storz x 4" 30° elbow with screen

65-10-233S: 5" storz x 4" 30° elbow with screen

Available on Straight Storz and
30° Elbow Storz Models

6-C STORZ CAP WITH CHAIN

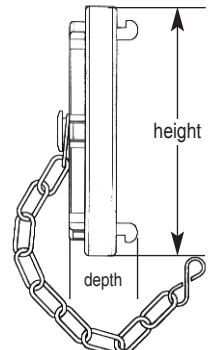


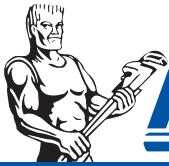
Lightweight aluminum alloy - hardcoated to reduce corrosion and abrasion

65-10-290: 4" storz cap with chain

65-10-291: 5" storz cap with chain

size	depth	height
4" x 4"	2-1/8"	6-1/8"
5" x 4"	2-1/2"	7-11/16"





ARGCO



FIRE EQUIPMENT - NEW ITEMS

7-A RACK PACKS



Standard Assembly Components

- Hose Rack, Red Enamel Steel
- Rack Nipple 1 1/2"
- Lined Rack Hose 1 1/2", 500 PSI
- Hose Coupling 1 1/2"
- Fog Nozzle 1 1/2"

* Angle Valve 1 1/2" available see page 4

65-10-810: Includes Red rack, 1 1/2" x 75' Rack Hose, brass coupling (specify regional thread), Rack Nipple and Red Lexan Nozzle.

65-10-811: Includes Red rack, 1 1/2" x 75' Rack Hose, brass coupling (specify regional thread), Rack Nipple and Brass Nozzle.

65-10-812: Includes with Red rack, 1 1/2" x 100' Rack Hose, brass coupling (specify regional thread), Rack Nipple and Red Lexan Nozzle.

65-10-813: Includes Red rack, 1 1/2" x 100' Rack Hose, brass coupling (specify regional thread), Rack Nipple and Brass Nozzle.

All of the above are available with chrome plated rack, coupling and nozzle

7-B HOSE



Emergency fire hose for interior use.

Designed for racks and reels.

100% synthetic woven jacket single ply with thermoplastic lining.

Available with brass or chrome couplings

65-10-801: 1-1/2" x 100 FT brass couplings

65-10-802: 1-1/2" x 75 FT brass couplings

7-C NOZZLES



Red Lexan adjustable straight stream, fog nozzle. 1-1/2" (38 mm)

65-10-805: Adjustable fog nozzle, capable of shut off, straight stream, or any degree of conical fog. Available in NPSH or NST thread. ULC UL and FM Approved.



Chrome plated cast brass adjustable fog nozzle. 1-1/2" (38 mm)

65-10-806: Capable of complete shutoff, straight stream or any degree of conical fog. Recommended for fire hose cabinets and fire hose racks for lined or unlined fire hose.



Play Pipe

65-10-807: Rugged Brass Construction 2-1/2" Inlet with swivel handle NST thread 1-1/8" orifice.

7-D HOSE RACKS & REELS



65-10-820: Semi Automatic swing rack to hold 1-1/2" x 75' 19 fold

65-10-821: Semi Automatic swing rack to hold 1-1/2" x 100' 23 fold



65-10-830: Stationary Pin Rack capacity 1-1/2" x 100' synthetic rack hose. to be mounted to the back wall of hose cabinet or block wall.



65-10-840: Swinging Hose Reels Swings 180 degrees from wall face.



65-10-850: Taraton type hose hanger (set of 2) aluminum Holds hose 1" to 2-1/2"

7-E HYDRANT WRENCHES



65-10-860: 2-1/2" Adjustable Hydrant and Coupling Wrench 20"



65-10-861: 2-1/2" Coupling Combination Hose and Hydrant Wrench.

7-F SPRINKLER STOP



Protect your building from water damage.

Shut off accidentally activated sprinkler heads before fire crews arrive without shutting down system... protecting the rest of your building!

- Fits recessed and pendant style fire sprinklers...including residential heads!
- Beveled rubber stopper completely stops water flow from sprinkler head orifice - where wood shims won't.
- Easily fits into fireman's pocket or spare sprinkler head box.

30-99-180

800-854-1015

www.argco.com

FAX 760-727-3270