



**ARGCO**

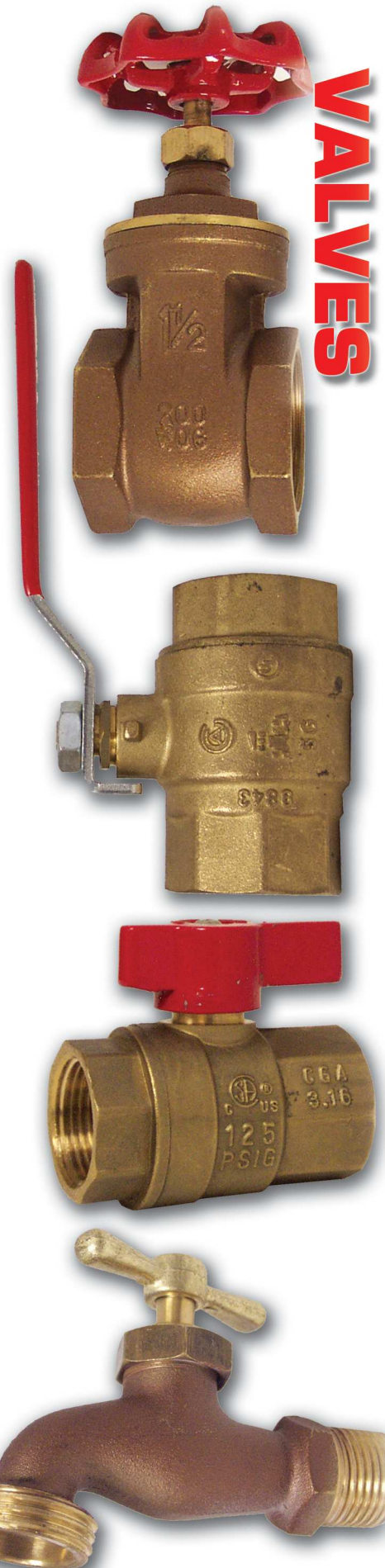
**PT pipingtools**

- 1-2 BALL VALVES
- 3 PVC VALVES & COUPLINGS
- 4 GATE VALVES
- 5 GLOBE VALVES
- 6 ANGLE VALVES
- 6 CHECK VALVES
- 7 SIGHT GLASS
- 7 TEST & DRAIN VALVES
- 7 INSPECTION TEST VALVE
- 7 PRESSURE RELIEF VALVES
- 7 SPRINKLER EXTENSIONS
- 8 HOSE BIBBS & BOILER DRAINS
- 8 HOSE VACUUM BREAKER
- 8 BOILER DRAINS
- 9 GAS VALVES & SURE GRIP ESCUTCHEONS
- 10 PLUMBING VALVES



**800-854-1015**

**www.argco.com**

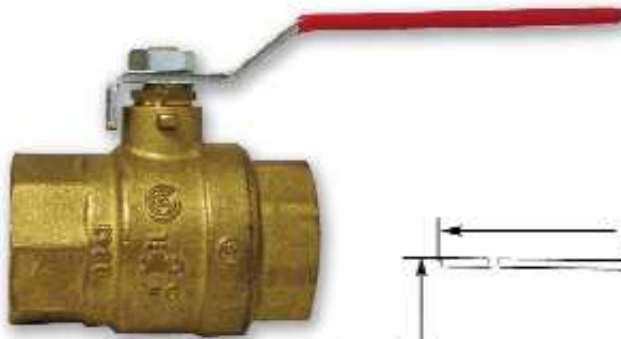


**VALVES**

## BALL VALVES

### 1-A Forged Brass - Full Port 600# • ips

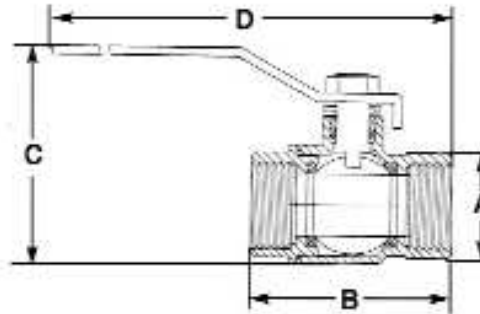
- Quality forged brass construction eliminates porosity
- Maximum temperature is 400° @ 100 psi
- PTFE seats and seals
- 150 WSP



PART #	SIZE	DIMENSIONS			
		A	B	C	D
65-20-400UL	1/4"	0.39"	1.77"	1.57"	3.15"
65-20-401UL	3/8"	0.47"	1.81"	1.57"	3.15"
65-20-402UL	1/2"	0.59"	2.05"	1.61"	3.74"
65-20-403UL	3/4"	0.75"	2.40"	2.01"	3.74"
65-20-404UL	1"	0.94"	2.76"	2.17"	4.53"
65-20-405UL	1-1/4"	1.26"	3.35"	2.80"	4.53"
65-20-406UL	1-1/2"	1.50"	3.66"	2.95"	6.30"
65-20-407UL	2"	1.89"	4.25"	3.43"	6.69"
65-20-408	2-1/2"	2.36"	5.16"	4.02"	7.48"
65-20-409	3"	2.87"	5.67"	4.49"	8.15"
65-20-410	4"	3.54"	6.65"	5.12"	8.15"



UL File No:  
MH27906

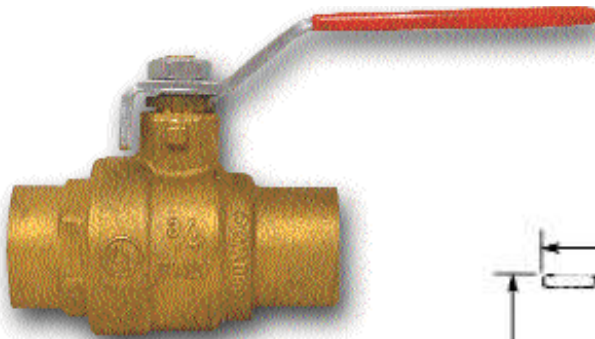


#### MATERIALS

PART	MATERIAL
BODY	BRASS
SEALING WASHER	PTFE
CHROME PLATED BALL	BRASS
GLAND WASHER	PTFE
BALL PACKING	PTFE
LOCK WASHER	STAINLESS STEEL
HANDLE NUT	STAINLESS STEEL
STEM	BRASS
PACKING NUT	BRASS
CAP	BRASS
ZINC PLATE HANDLE	CARBON STEEL

### 1-B Forged Brass - Full Port 600# • C x C

- Quality forged brass construction eliminates porosity
- Maximum temperature is 400° @ 100 psi
- PTFE seats and seals
- 150 WSP



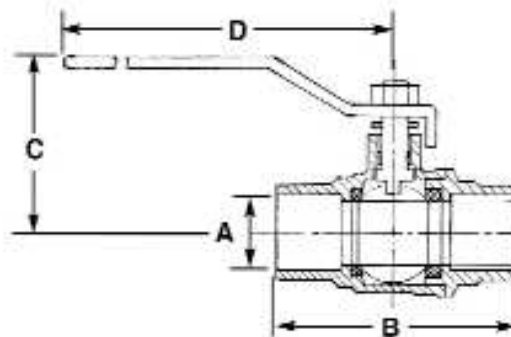
PART #	SIZE	DIMENSIONS			
		A	B	C	D
65-20-412UL	1/2"	0.59"	2.28"	1.97"	3.54"
65-20-413UL	3/4"	0.75"	2.83"	2.20"	4.06"
65-20-414UL	1"	0.94"	3.54"	2.56"	4.84"
65-20-415UL	1-1/4"	1.26"	4.06"	2.76"	4.84"
65-20-416UL	1-1/2"	1.50"	4.45"	3.35"	6.02"
65-20-417UL	2"	1.89"	5.24"	3.74"	6.02"

#### MATERIALS

PART	MATERIAL
BODY	BRASS
SEALING WASHER	PTFE
CHROME PLATED BALL	BRASS
GLAND WASHER	PTFE
BALL PACKING	PTFE
HANDLE NUT	STAINLESS STEEL
STEM	BRASS
PACKING NUT	BRASS
CAP	BRASS
ZINC PLATE HANDLE	CARBON STEEL



UL File No:  
MH27906

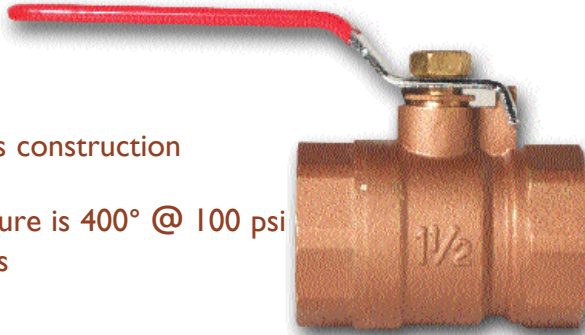


# BALL VALVES

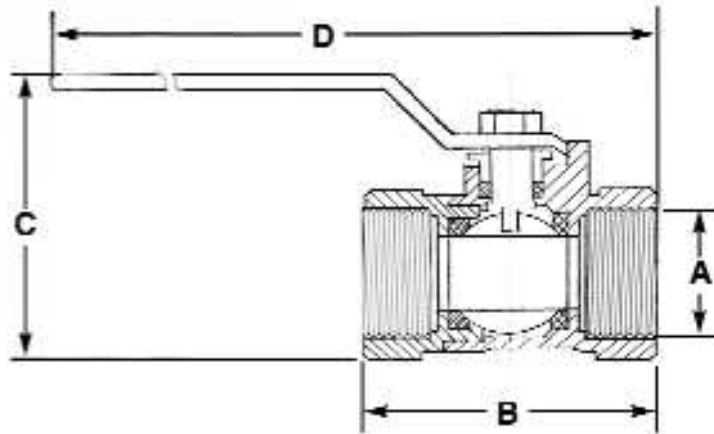
## 2-A Forged Brass - Standard Port 400# • ips



- Quality forged brass construction eliminates porosity
- Maximum temperature is 400° @ 100 psi
- PTFE seats and seals
- 150 WSP



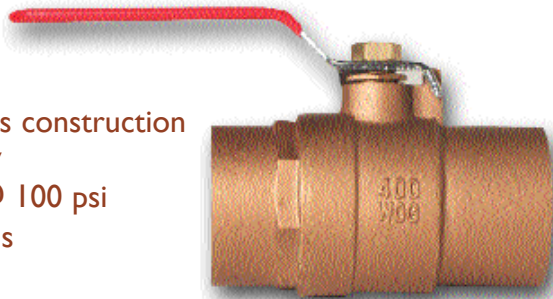
PART #	SIZE	DIMENSIONS			
		A	B	C	D
65-20-420	1/4"	0.31"	1.61"	1.57"	3.39"
65-20-421	3/8"	0.35"	1.69"	1.57"	3.39"
65-20-422	1/2"	0.39"	1.89"	1.61"	3.39"
65-20-423	3/4"	0.59"	1.97"	1.77"	3.39"
65-20-424	1"	0.75"	2.60"	2.17"	4.72"
65-20-425	1-1/4"	0.98"	2.99"	2.28"	4.72"
65-20-426	1-1/2"	1.26"	3.43"	2.64"	5.31"
65-20-427	2"	1.50"	3.86"	2.87"	5.31"



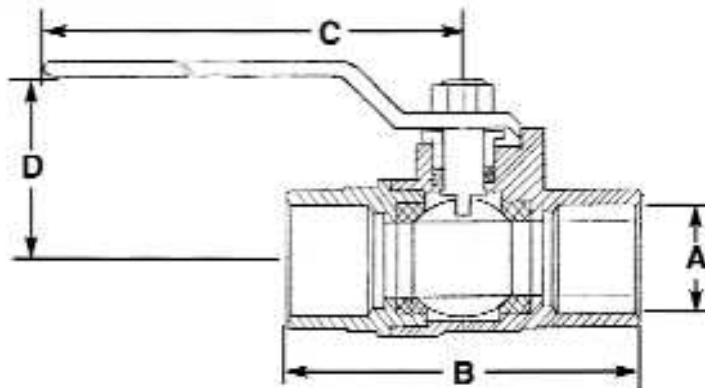
MATERIALS	
PART	MATERIAL
NUT	EXTRUDED BRASS
HANDLE	C.P. STEEL
STEM GLAND SCREW	CAST BRASS
STEM PACKING	VIRGIN PTFE
STEM	EXTRUDED BRASS
BODY	FORGED BRASS
BALL DISC PACKING	VIRGIN PTFE
BALL DISC	HARD BRASS/C.P.
END PLUG	FORGED BRASS
HANDLE COVER	VINYL JACKET

## 2-B Forged Brass - Standard Port 400# • C x C

- Quality forged brass construction eliminates porosity
- Max. temp. 400° @ 100 psi
- PTFE seats and seals
- 150 WSP



PART #	SIZE	DIMENSIONS			
		A	B	C	D
65-20-432	1/2"	0.39"	2.01"	1.61"	3.39"
65-20-433	3/4"	0.59"	2.60"	1.77"	3.39"
65-20-434	1"	0.79"	3.46"	2.17"	4.72"
65-20-435	1-1/4"	0.91"	3.66"	2.28"	4.72"
65-20-436	1-1/2"	1.22"	4.25"	2.64"	5.31"
65-20-437	2"	1.50"	5.04"	2.87"	5.31"

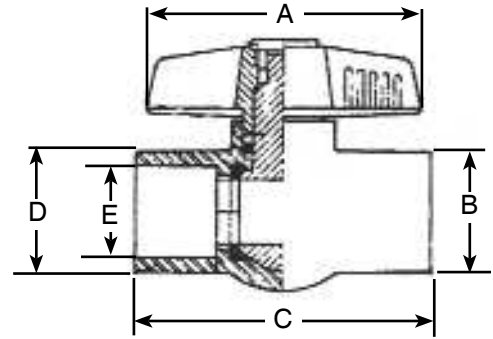
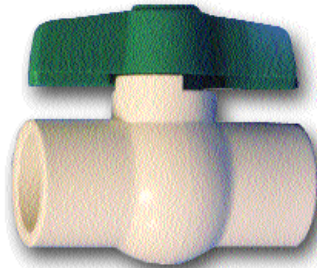


MATERIALS	
PART	MATERIAL
NUT	EXTRUDED BRASS
HANDLE	CHROME PLATED STEEL
STEM GLAND SCREW	CAST BRASS
STEM PACKING	VIRGIN PTFE
STEM	EXTRUDED BRASS
BODY	FORGED BRASS
BALL DISC PACKING	VIRGIN PTFE
BALL DISC	HARD BRASS/C.P.
END PLUG	FORGED BRASS
HANDLE COVER	VINYL JACKET

## PVC BALL VALVES

### 3-A Slip Ball Valves - Schedule 40 • 150 psi

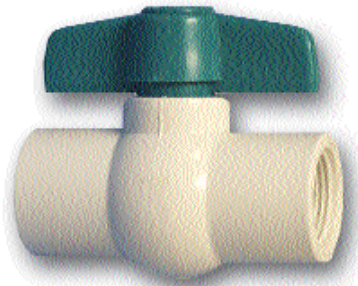
- Large port opening
- For use with schedule 40 or 80 pipe
- Quarter turn open or closed
- Complies with ASTM D2466



ISO 9002

### 3-B Threaded Ball Valves Schedule 40 150 psi

THREADED PART #	SLIP PART #	SIZE	DIMENSIONS				E	
			A	B	C	D	socket	thread
65-21-121	65-21-101	1/2"	2.73"	3.07"	1.24"	0.56"	0.84"	1/2"
65-21-122	65-21-102	3/4"	3.11"	3.58"	1.51"	0.73"	1.05"	3/4"
65-21-123	65-21-103	1"	3.89"	4.25"	1.76"	0.94"	1.32"	1"
65-21-124	65-21-104	1-1/4"	4.40"	4.80"	2.14"	1.17"	1.66"	1-1/4"
65-21-125	65-21-105	1-1/2"	4.40"	5.07"	2.37"	1.33"	1.90"	1-1/2"
65-21-126	65-21-106	2"	5.43"	5.78"	2.98"	1.74"	2.38"	2"



- Complies with ANSI B1.20.1

#### MATERIALS

PART	MATERIAL
BODY	PVC
ONE PIECE BALL & STEM	PVC
SEAT	BUMA OR PTFE
O-RING	EPDM
T-HANDLE	PVC
CAP	ABS

### 3-C PVC COMPRESSION COUPLINGS

ISO 9002



PART #	TUBE SIZE:
65-21-141	1/2"
65-21-142	3/4"
65-21-143	1"
65-21-144	1-1/4"
65-21-145	1-1/2"
65-21-146	2"
65-21-147	2-1/2"
65-21-148	3"
65-21-149	4"
65-21-151	6"

Expansion Couplings Available

## pipingttools

Along with this selection of valves, ARGCO has its own line of PT® Piping Tools and Replacement parts ...at half the price!



Call for your free Pipingtools® catalog, or log onto [pipingttools.com](http://pipingttools.com) for details

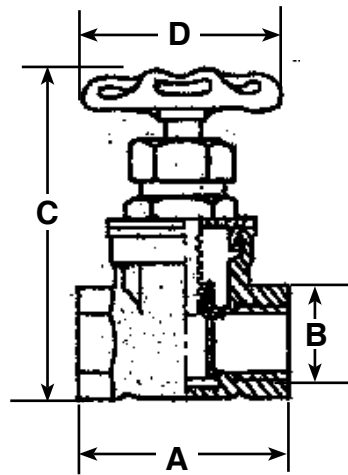


## GATE VALVES

### 4-A

**Brass • 200# • 125 wsp • ips**  
**Brass • 300# • 150 wsp • ips**

- Full flow, 200 PSI water, oil or gas
- Non-rising stem
- Heavy duty handle
- Solid wedge disc



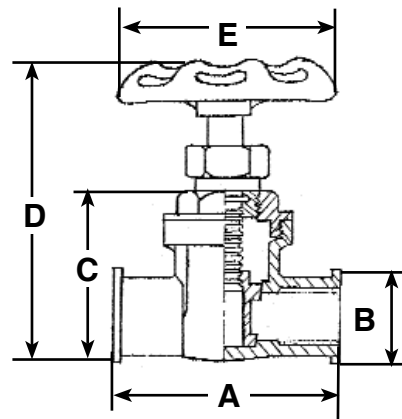
PART #	DIMENSIONS				
	SIZE	A	B	C	D
65-20-502	1/2"	1.57"	0.57"	3.35"	2.00"
65-20-503	3/4"	1.97"	0.75"	3.74"	2.00"
65-20-504	1"	2.13"	0.98"	4.13"	2.00"
65-20-505	1-1/4"	2.24"	1.22"	4.88"	2.00"
65-20-506	1-1/2"	2.36"	1.46"	5.63"	2.00"
65-20-507	2"	2.56"	1.77"	6.89"	2.00"
65-20-508	2-1/2"	3.39"	2.13"	9.29"	2.00"
65-20-509	3"	2.87"	2.48"	10.75"	2.00"
65-20-510	4"	3.90"	3.50"	12.40"	2.00"

MATERIALS	
PART	MATERIAL
WHEEL NUT	CARBON STEEL
NAME PLATE	ALUMINUM
HAND WHEEL	CAST IRON
STEM	BRASS
PACKING NUT	BRASS
GLAND	BRASS
GLAND PACKING	PTFE
BONNET	BRASS
LOCK NUT	BRASS
DISC	BRASS
BODY	BRASS

### 4-B

**Brass - 200# • 125 WSP • C x C**

- Full flow, 200 PSI water, oil or gas
- Full-flow, non-rising stem
- Heavy duty handle
- Solid wedge disc



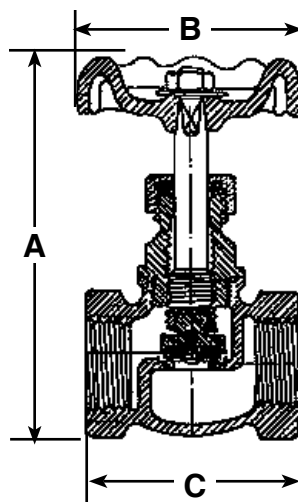
PART #	DIMENSIONS					
	SIZE	A	B	C	D	E
65-20-512	1/2"	1.81"	0.57"	2.28"	3.15"	2.00"
65-20-513	3/4"	2.28"	0.75"	2.76"	3.62"	2.00"
65-20-514	1"	2.72"	0.98"	3.35"	4.17"	2.00"
65-20-515	1-1/4"	2.87"	1.22"	4.13"	4.92"	2.00"
65-20-516	1-1/2"	2.87"	1.30"	4.13"	5.16"	2.00"
65-20-517	2"	3.35"	1.77"	5.00"	6.50"	2.00"

MATERIALS	
PART	MATERIAL
WHEEL NUT	CARBON STEEL
NAME PLATE	ALUMINUM
HAND WHEEL	CAST IRON
STEM	BRASS
PACKING NUT	BRASS
GLAND	BRASS
GLAND PACKING	PTFE
BONNET	BRASS
LOCK NUT	BRASS
DISC	BRASS
BODY	BRASS

## GLOBE VALVES - RUBBER SEAT

### 5-A Standard Globe Valves

- Standard installation trim and drain valves for the fire sprinkler industry
- Water, oil & gas - 200 psi
- Rising stem



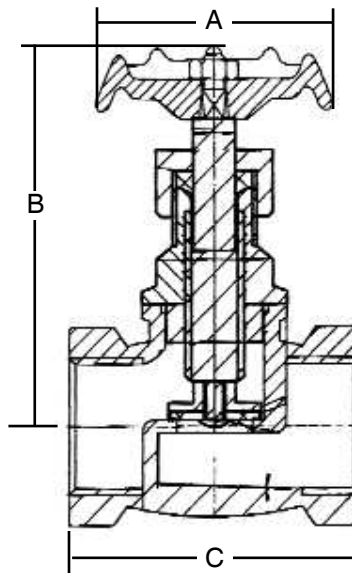
PART #	SIZE	DIMENSIONS		
		A	B	C
65-20-044	1/4"	2.84"	2.22"	1.80"
65-20-045	1/2"	2.92"	2.06"	1.89"
65-20-050	3/4"	3.00"	2.14"	2.20"
65-20-055	1"	3.39"	2.50"	2.53"
65-20-060	1-1/4"	4.33"	2.95"	2.91"
65-20-065	1-1/2"	5.12"	3.31"	3.31"
65-20-070	2"	6.02"	3.74"	3.92"

MATERIALS	
PART	MATERIAL
WHEEL NUT	IRON
NAME PLATE	ALUMINUM
HAND WHEEL	CAST IRON
PACKING NUT	BRASS ROD
GLAND PACKING	GRAPHITE
BONNET	BRASS ROD
STEM	BRASS ROD
DISC HOLDER	BRASS ROD
DISC	RUBBER
DISC BOLT	BRASS ROD
BODY	CAST BRASS

These valves are recommended where tight shut-off and frequent operation is required

### Heavy Pattern Globe Valves

- New heavy pattern valve - water, oil & gas - 300 psi
- 30% heavier than standard globe valve
- Rising stem



PART #	SIZE	DIMENSIONS		
		A	B	C
65-20-045HV	1/2"	2.32"	2.56"	2.13"
65-20-050HV	3/4"	2.32"	2.87"	2.34"
65-20-055HV	1"	3.15"	3.50"	2.82"
65-20-060HV	1-1/4"	3.15"	4.17"	3.30"
65-20-065HV	1-1/2"	4.72"	3.94"	3.78"
65-20-070HV	2"	4.25"	5.32"	4.25"

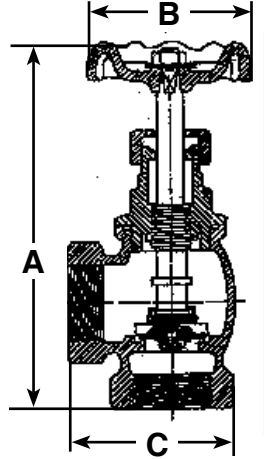
MATERIALS	
PART	MATERIAL
WHEEL NUT	BRASS
HAND WHEEL	CAST IRON
PACKING NUT	BRASS
PACKING	NBR
BONNET	BRASS
STEM	BRASS BRASS
DISC	FORGED BRASS
DISC BOLT	BRASS ROD
BODY	FORGED BRASS
GASKET	BRASS PLATE
SEAL	NBR

These valves are recommended where tight shut-off and frequent operation is required

## 6-A ANGLE VALVES - RUBBER SEAT

**3/4" to 2" • IPS**

- Standard installation trim and drain valves for the Fire Sprinkler Industry
- Water, oil or gas - 200 psi
- Rising stem



These valves are recommended where tight shut-off and frequent operation is required

PART #	SIZE	DIMENSIONS		
		A	B	C
65-20-080	3/4"	4.72"	2.56"	2.09"
65-20-085	1"	5.35"	2.56"	2.48"
65-20-090	1-1/4"	5.83"	2.76"	2.89"
65-20-095	1-1/2"	7.36"	3.11"	3.27"
65-20-100	2"	9.06"	3.94"	4.13"

NEW - 65-20-100HV: heavy pattern 2" 300psi

MATERIALS	
PART	MATERIAL
WHEEL NUT	IRON
NAME PLATE	ALUMINUM
HAND WHEEL	CAST IRON
PACKING NUT	BRASS ROD
GLAND PACKING	PTFE
BONNET	CAST BRASS
STEM	CAST BRASS
LOCK NUT	BRASS ROD
SEAT HOUSE	CAST BRASS
SEAT WASHER	RUBBER
WASHER	BRASS ROD
SEAT NUT	BRASS ROD
BODY	CAST BRASS

## FIRE EQUIPMENT

**ARGCO** also offers several other valves, including angle hose valves, check valves and fire department connections and adapters. Call for your free Fire Equipment Catalog or log onto [argco.com](http://argco.com).



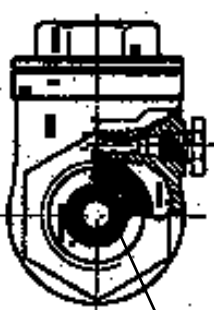
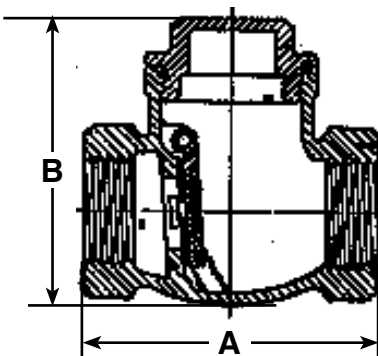
## CHECK VALVES

### 6-B Horizontal Swing Check Valves



- Built for a tight seal on backflow
  - Water, oil & gas - 200 psi
  - 1/2" to 2" IPS
- NOT recommended for pulsating or vibrating service

PART #	SIZE	DIMENSIONS	
		A	B
65-20-105	1/2"	2.07"	2.13"
65-20-110	3/4"	2.36"	2.30"
65-20-115	1"	2.62"	2.62"
65-20-120	1-1/4"	3.17"	3.07"
65-20-125	1-1/2"	3.54"	3.43"
65-20-130	2"	4.25"	4.21"



nut & washer on gasket

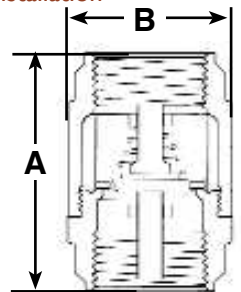
MATERIALS	
PART	MATERIAL
CAP	CAST BRASS
BODY	CAST BRASS
SEAT HOUSE	CAST BRASS
SEAT GASKET	RUBBER
PIN	BRASS ROD
LOCK BOLT	BRASS ROD

### 6-C

### Inline Check Valves

**1" to 2"**

Spring loaded, Buna-N Seat  
Horizontal or Vertical installation



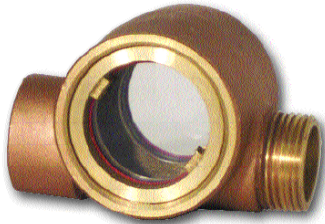
PART #	SIZE	DIMENSIONS	
		A	B
65-20-140	1" IPS	2.32"	1.77"
65-20-145	1-1/4" IPS	2.64"	2.20"
65-20-150	1-1/2" IPS	2.75"	2.48"
65-20-151	2" IPS	3.15"	3.11"

MATERIALS	
Part	MATERIAL
Body	Forged brass
End piece	Forged brass
Stem	Plastic
Spring	Stainless steel
Seat	Buna-N

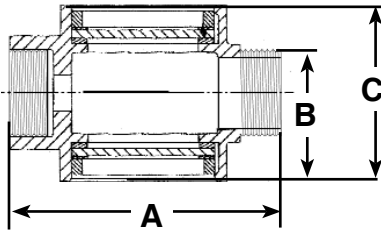
## VALVE ACCESSORIES

### 7-A SIGHT GLASS

Flow indicator with or without built-in 1/2" restricted orifice for inspector's test flow of 200 psi, fire sprinkler systems



1" IPS & 1-1/4" IPS sizes



PART #	DIMENSIONS			
	SIZE	A	B	C
65-20-185*	1"	3.91"	1.25"	2.25"
65-20-186	1-1/4"	3.91	1.50	2.50
65-20-187				

MATERIALS	
PART	MATERIAL
BODY	BRONZE
CLAMP RING	BRONZE
SIGHT GLASS	ACRYLIC
SEAL	PVC
GASKET	FIBER

### 7-B TEST & DRAIN VALVE

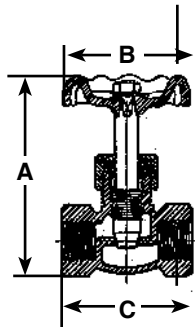


Test & Drain with Shutoff

- Features easy-view sight glass that can be positioned either vertically or horizontally in the system.
- Brass and stainless steel construction with teflon seats
- Available in 1" or 1-1/4" N.P.T. sizes
- Single inlet - single outlet
- 175 p.s.i.

65-20-184: 1" IPS  
 65-20-183: 1-1/4" IPS  
 65-20-184 w/so: 1" IPS w/ shut off  
 65-20-183 w/so: 1-1/4" IPS w/shut off

### 7-C INSPECTION TEST VALVE, 3 WAY



- Permits inspector to check accuracy or replace gauge without shutting down entire line
- 1/4" IPS
- 200 psi

PART #	SIZE	DIMENSIONS		
		A	B	C
65-20-190	1/4"	2.56"	2.05"	1.65"

MATERIALS	
PART	MATERIAL
HANDLE NUT	IRON
NAME PLATE	ALUMINUM
HAND WHEEL	CAST IRON
PACKING NUT	BRASS ROD
GLAND PACKING	GRAPHITE
STEM	BRASS ROD
BODY	CAST BRASS

### 7-D PRESSURE RELIEF VALVE

1/2" x 1/2"



- Cast brass body
- 50-200 PSI
- Use in grid and residential systems where pressure relief is required

65-20-160: adjustable 1/2" x 1/2"  
 65-20-161: non-adjustable 1/2" x 1/2"

### 7-E SPRINKLER EXTENSIONS



- Forged brass body
- Hex shape for installation with wrench
- Fire safe

1/2" IPS	3/4" IPS	Size
65-20-240	65-20-245	x 1/2" IPS
65-20-241	65-20-246	x 3/4" IPS
65-20-242	65-20-247	x 1" IPS
65-20-243	65-20-248	x 1-1/2" IPS
65-20-244	65-20-249	x 2" IPS

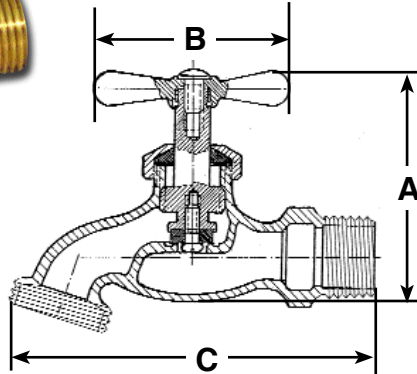
USE THIS PRODUCT AT YOUR OWN RISK. ARGCO WILL NOT PROVIDE FOR REPLACEMENT OF THIS PRODUCT NOR WILL WE BE RESPONSIBLE FOR ANY DIRECT OR CONSEQUENTIAL DAMAGES ASSOCIATED WITH THE USE OF THIS PRODUCT. This product should only be used when no other installation option is available and then only installed under controlled and supervised conditions. This product has neither been tested nor approved by any agency or authority as being a universally accepted product for the extension of sprinklers. Over-tightening will cause failure of the brass sprinkler extensions in almost every case. By installing this product you acknowledge that you accept responsibility for use of this product.

## 8-A HOSE BIBB

### Hose Bibb



- Heavy duty construction
- Tee handle
- 1/2" fits CxC or MIP
- Combination inlet fits both 1/2" CxC or 1/2" MIP



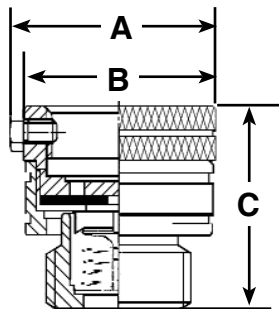
#### DIMENSIONS

PART #	SIZE	A	B	C
65-20-300	1/2" MIP/CxCx3/4" HOSE END	2.20"	2.20"	3.54"
65-20-301	3/4" MIPx3/4" HOSE END	2.20"	2.20"	3.60"

#### MATERIALS

PART	MATERIAL
BOLT	IRON
HANDLE	ZINC
BONNET	BRASS
PACKING	RUBBER
WASHER	STAINLESS STEEL
STEM	BRASS
SEAT PACKING	RUBBER
SEAT PACK SCREW	BRASS
BODY	BRASS

## 8-B HOSE VACUUM BREAKER ANTI SIPHON DEVICE



- Connects to any hose thread
- Break-off bolt



#### DIMENSIONS

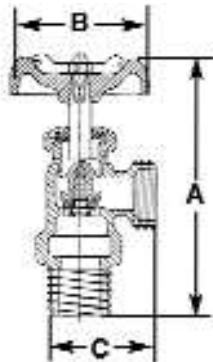
PART #	SIZE	A	B	C
65-20-329	3/4" x 3/4"	1.46"	1.34"	1.40"

#### MATERIALS

PART	MATERIAL
BONNET	BRASS
BOLT	STAINLESS STEEL
O RING	RUBBER
SEAT WASHER	RUBBER
SPRING HOUSE	PVC
SPRING	STAINLESS STEEL
BODY	BRASS

## BOILER DRAINS

### 8-C MIP X HOSE

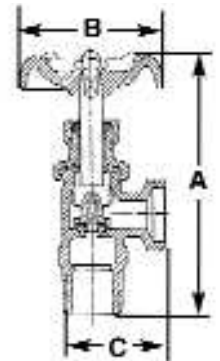
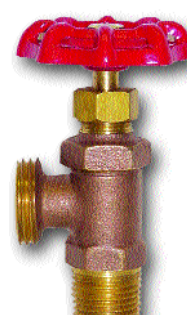


- Heavy pattern
- Heavy duty handle
- Combination inlet fits both 1/2" CxC or 1/2" MIP

#### DIMENSIONS

PART #	SIZE	A	B	C
65-20-338	1/2" CxC/MIP	3.43"	2.05"	1.06"
65-20-339	3/4" MIP	3.43"	2.05"	1.12"

### 8-D MIP X HOSE WITH STUFFING BOX



#### MATERIALS

PART	MATERIAL
NUT	IRON
NAME PLATE	ALUMINUM
HANDLE	CAST IRON
STEM	BRASS
BONNET	BRASS
PACKING	RUBBER
WASHER	STAINLESS STEEL
SEAT PACKING	RUBBER
SEAT PACK. SCREW	BRASS
BODY	BRASS

#### DIMENSIONS

PART #	SIZE	A	B	C
65-20-340	1/2" CxC/MIP	3.78"	2.05"	1.06"
65-20-341	3/4" MIP	3.82"	2.05"	1.12"



## GAS VALVES

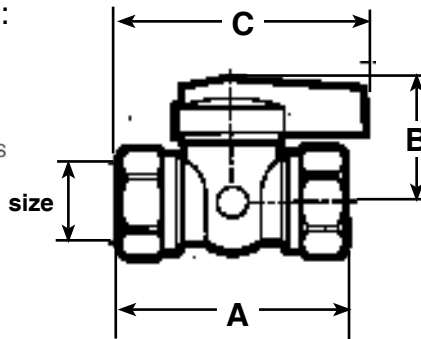
### 9-A Gas Ball Valves

**AGA Design Certified  
Forged Brass • ips**

- Quality forged brass construction eliminates porosity
- PTFE seats and seals
- Handle - corrosion resistant dacroment finish



**UL** US  
LISTED  
UL File No:  
MH27906



PART #	SIZE	DIMENSIONS		
		A	B	C
65-20-902	1/2" F x F	2.35"	1.69"	1.41"
65-20-903	3/4" F x F	2.59"	1.69"	1.41"

MATERIALS	
PART	MATERIAL
FIXING SCREW	BRASS
HANDLE	COATED ALUMINUM
FIXING RING	STEEL
WASHER	STEEL
STEM	BRASS
O RING	RUBBER
SEAL	STEEL
SEAT	PTFE
BALL	C.P. STEEL
BODY	BRASS

### SEISMIC GAS SHUTOFF



#### Earthquake-Actuated Natural Gas Shutoff

The **NORTHRIDGE 2000 VALVE®** is approved to ASCE-25-97 which is the new standard for seismic gas shut-off valves. The valve is engineered for simple wrench-free operation and to be fail-safe and virtually indestructible decade after decade in any weather.

- Stainless steel ball is the only internal part.
- Wrench free operation as it allows the homeowner an easy way to turn the gas on or off.



With the Northridge 2000 installed between the gas meter and home, the homeowner is protected from one of an earthquake's greatest dangers...Gas Fire.

3/4" Valve: 65-20-170

1" Valve: 65-20-171



### 9-B SURE GRIP PLUMBING ESCUTCHEONS

- Chrome plated steel
- Custom sizes available



1/2" IPS	45-40-002	3/8" IPS bell	45-40-032
3/4" IPS	45-40-003	1/2" IPS bell	45-40-033
1" IPS	45-40-004	3/4" IPS bell	45-40-034
1-1/4" IPS	45-40-005	1" IPS bell	45-40-035
5/8" OD	45-40-010	1-1/4" IPS bell	45-40-036
7/8" OD	45-40-011	1/2" OD bell	45-40-039
1-1/8" OD	45-40-012	7/8" OD bell	45-40-040A
1-1/4" OD	45-40-013	3/4" OD bell	45-40-041
1-1/2" OD	45-40-015	1-1/4" IPS box	45-40-045

800-854-1015

www.argco.com

FAX 760-727-3270



## 10-A PLUMBING VALVES & CONNECTIONS



### STAINLESS STEEL BRAIDED SINK WATER CONNECTOR

- 65-20-955: 3/8" COMP. x 1/2" FIP - 6" length
- 65-20-956: 3/8" COMP. x 1/2" FIP - 9" length
- 65-20-957: 3/8" COMP. x 1/2" FIP - 12" length
- 65-20-958: 3/8" COMP. x 1/2" FIP - 16" length
- 65-20-959: 3/8" COMP. x 1/2" FIP - 20" length



### STAINLESS STEEL BRAIDED TOILET TANK CONNECTOR

- 65-20-962: 3/8" COMP. x 7/8" nut - 6" length
- 65-20-963: 3/8" COMP. x 7/8" nut - 9" length
- 65-20-964: 3/8" COMP. x 7/8" nut - 12" length
- 65-20-965: 3/8" COMP. x 7/8" nut - 20" length



### STAINLESS STEEL BRAIDED WASHING MACHINE CONNECTOR

- 65-20-967: 1/2" IPS x 1/2" IPS- 60" length
- 65-20-968: 1/2" IPS x 1/2" IPS- 72" length



### STAINLESS STEEL BRAIDED DISH WASHER CONNECTOR + BRASS NUT

- 65-20-973: 3/8" comp. x 3/8" comp. - 60" length
- 65-20-974: 3/8" comp. x 3/8" comp. - 72" length



### MINI-STOP QTR. TURN BALL VALVE DOUBLE VITON® O-RING & PTFE PACKING

- 65-20-912: 1/2" C x 1/2" C straight
- 65-20-913: 1/2" C x 1/2" C angle
- 65-20-914: 1/2" C x 3/8" OD comp. straight
- 65-20-915: 1/2" C x 3/8" OD comp. angle
- 65-20-916: 5/8" OD comp. x 3/8" OD comp. straight
- 65-20-917: 5/8" OD comp. x 3/8" OD comp. angle
- 65-20-918: 3/8" IPS x 3/8" OD comp. straight
- 65-20-919: 3/8" IPS x 3/8" OD comp. angle
- 65-20-920: 1/2" comp. x 1/2" PEX straight

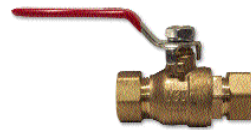


- 65-20-921: 1/2" PEX x 3/8" OD comp. straight



### ABS CONNECTION CLEANOUTS OR FLOOR DRAINS

- 65-20-980: 3" Pipe with Cast Iron Cover
- 65-20-981: 4" Pipe with Cast Iron Cover
- 65-20-982: 3" Pipe with Cast Iron Grate
- 65-20-983: 4" Pipe with Cast Iron Grate



### 600 WOG COMPRESSION FULL PORT FORGED BALL VALVE

- 65-20-924: 1/2"
- 65-20-925: 3/4"
- 65-20-926: 1"



### 600 WOG COMPRESSION FULL PORT FORGED BALL VALVE WITH DRAIN

- 65-20-927: 1/2"
- 65-20-928: 3/4"
- 65-20-929: 1"



### NPT / CxC FULL PORT STOP & WASTE BALL VALVE

- 65-20-906: CxC 1/2"
- 65-20-907: CxC 3/4"
- 65-20-908: NPT 1/2"
- 65-20-909: NPT 3/4"



### CxC STANDARD PORT STOP & WASTE BALL VALVE

- 65-20-904: 1/2"
- 65-20-905: 3/4"



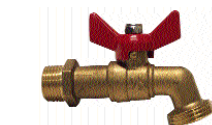
### SOLID BRASS BOLT (2 bolts, 2 washers, 2 nuts)

- 65-20-946: 5/16" x 2-1/4"
- 65-20-947: 5/16" x 3"



### BARB x BARB FULL PORT FORGED BRASS BALL VALVE

- 65-20-932: 1/2" 600 WOG 6 barbs ends
- 65-20-933: 3/4" 600 WOG 6 barbs ends
- 65-20-934: 1" 600 WOG 7 barbs ends



### QUARTER TURN BALL TYPE HOSE BIBB

- 65-20-936: 1/2"
- 65-20-937: 3/4"



### BOILER DRAIN TEFLON PACKING

- 65-20-939: 1/2" (angle)
- 65-20-940: 1/2"

# Easy on-line shopping 24 hours a day!

**ARGCO**

Home | Your Cart | Log In | Check Out | Customer Service | About Us

Welcome to ARGCO, your online Fire Sprinkler Resource!

PRODUCT SEARCH Home

Fire Sprinkler Specialties  
Fire Equipment  
Piping Tools  
Piping Chemicals  
Valves  
Boiler Specialties  
Hangers & Fasteners

ARGCO 2610

ARGCO has been supplying the Fire Sprinkler, Boiler and Plumbing Industries since 1981. We have been tracking down the very best quality products at the most reasonable prices in an effort to pass the savings over to you. Today we have well over 4,000 items and over \$1 million worth of inventory on the shelf ready to serve you. ARGCO's niche expands beyond price alone, as we now offer more selection than any of our competitors.

Remember to check back often as more products are being added to our online inventory. Thank you for visiting.

VISA VeriSign Secure Site

Track an order, get MSDS product information, or maintain your account.

Create an account, log-in and purchase any ARGCO item online with our state-of-the-art secured shopping cart.

Maintain your account  
Track an order

Search ARGCO by product or part number

Go directly to the product category

PRODUCT SEARCH Valves

GO

Fire Sprinkler Specialties  
Fire Equipment  
Piping Tools  
Piping Chemicals  
Valves  
Boiler Specialties  
Hangers & Fasteners

- [Ball Valves - Brass](#)
- [Ball Valves - PVC](#)
- [Gate Valves](#)
- [Globe Valves](#)
- [Angle Valves](#)
- [Check Valves](#)
- [Pressure Relief Valves](#)
- [Sprinkler Extension](#)
- [Sight Glass](#)
- [Inspection Test Valve, 3 Way](#)
- [Hose Bibbs](#)
- [Boiler Drains](#)
- [Gas Valves](#)

VISA VeriSign Secure Site

Click on your category...

**ARGCO**

Home | Your Cart | Log In | Check Out | Customer Service | About Us

Welcome to ARGCO, your Fire Sprinkler Resource!

PRODUCT SEARCH

1-1/2"IPS FORGED BALL VALVE 400# STANDARD PORT  
Forged Brass - Standard Port - 400# - ips

Fire Sprinkler Specialties  
Fire Equipment  
Piping Tools  
Piping Chemicals  
Valves  
Boiler Specialties  
Hangers & Fasteners

1-1/2"IPS FORGED BALL VALVE 400# STANDARD PORT  
\$16.54  
In Stock  
Quantity: 1  
Buy it Now!

1-1/2"IPS FORGED BALL VALVE 400# STANDARD PORT (24/58#)

Type in your quantity, put it in your shopping cart, and select another item.