

TWO HOLE PIPE STRAP



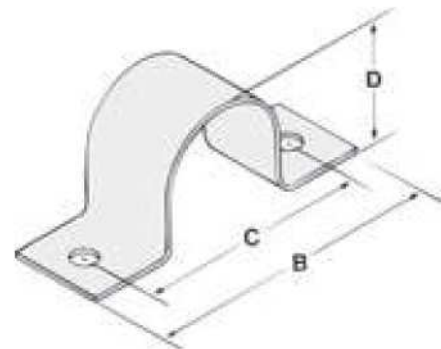
FUNCTION: Designed to hold pipe or conduit flush with mounting surface for light duty applications.

MATERIAL: Low carbon steel

FINISH: Electro-galvanized

ORDERING: Specify pipe size and figure number.

| item# | Pipe Size | B | C | D | Wt Ea. |
|---------|-----------|--------|---------|----------|--------|
| 2530270 | 1/2" | 2-5/8" | 2-1/8" | 7/8" | .04 |
| 2530271 | 3/4" | 2-3/4" | 2-5/8" | 1-1/8" | .05 |
| 2530284 | 1" | 3-3/8" | 3-3/16" | 1-7/16" | .06 |
| 2530273 | 1-1/4" | 4-1/4" | 3-1/2" | 1-13/16" | .08 |
| 2530286 | 1-1/2" | 4-1/2" | 4-1/8" | 1-15/16" | .10 |
| 2530287 | 2" | 5-3/8" | 4-1/2" | 2-9/16" | .13 |
| 2530276 | 2-1/2" | 6" | 4-1/2" | 3-1/16" | .20 |
| 2530277 | 3" | 7-1/4" | 5-3/4" | 3-3/4" | .50 |
| 2530279 | 4" | 6-3/4" | 5-1/4" | 4-11/16" | .51 |



The information contained herein is produced in good faith and is believed to be reliable but is for guidance only. ARGCO and its agents cannot assume liability or responsibility for results obtained in the use of its product by persons whose methods are outside or beyond our control. It is the user's responsibility to determine the suitability of any of the products, methods of use, or preparation prior to use, mentioned in our literature. It is the user's responsibility to observe and adapt such precautions as may be advisable for the protection of personnel and property in the handling and use of any of our products.

**FOR MORE INFORMATION CALL ARGCO AT 800-854-1015
OR LOG ONTO ARGCO.COM**