

# data sheet

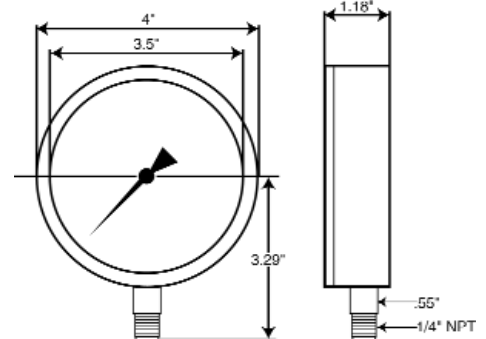
## ARGCO



### Fire Sprinkler Pressure Gauge Kits



- 0-300 psi water
- 0-300 psi air
- 0-300 psi air/water



Kits come boxes with gauge, valve, nipple, plug and bushing.

**Application:** Fluid medium which does not clog connection port or corrode copper alloy. Specifically designed for the fire sprinkler industry.

**Size:** 4" (100 mm)

**Accuracy**  $\pm 3/2/3\%$  of span - 1 1/2" (ASME B40.1 Grade B)

**Working Range**

- Steady: 3/4 of full scale value
- Fluctuating: 2/3 of full scale value
- Short time: full scale value

**Operating Temperature**

- Ambient: -40°F to 140°F (-40°C to 60°C)
- Media: max. 140°F (+60°C)

**Temperature Error**

Additional error when temperature changes from reference temperature of 68°F (20°C) +0.4% for every 18° F (10°C) rising or falling. Percentage of span.

**Standard Features**

- Connection Material:** copper alloy
- Lower mount (LM) - not available for 1 1/2" size
- 1/4" NPT limited to wrench flat area
- Bourdon Tube:** Material: copper alloy C-type
- Movement:** Copper alloy, silicone dampened
- Dia:** White plastic with stop pin - black & red lettering
- Pointer:** Black aluminum
- Case:** Black polycarbonate

**Approvals**

- UL listed (UL-393)
- FM approved

**Standard Scale**

PSI

**Window**

Acrylic, ultrasonically welded to case

**Standard Series • Type 110.10sp**

**Order Options**

- water
- air/water
- air

- 65-10-160KIT: AIR/WATER GAUGE KIT
- 65-10-161KIT: WATER GAUGE KIT
- 65-10-162KIT: AIR GAUGE WITH RETARD KIT
- 65-10-163KIT: AIR GAUGE KIT

The information contained herein is produced in good faith and is believed to be reliable but is for guidance only. ARGCO and its agents cannot assume liability or responsibility for results obtained in the use of its product by persons whose methods are outside or beyond our control. It is the user's responsibility to determine the suitability of any of the products, methods of use, or preparation prior to use, mentioned in our literature. It is the user's responsibility to observe and adapt such precautions as may be advisable for the protection of personnel and property in the handling and use of any of our products.

**FOR MORE INFORMATION CALL ARGCO AT 1-800-854-1015  
OR LOG ONTO WWW.ARGCO.COM**



**CERTIFICATE OF COMPLIANCE  
ACCURACY STATEMENT**

Pressure and Temperature  
Measurement  
WIKA Instrument Corporation  
1000 Wiegand Boulevard  
Lawrenceville, Georgia 30043

WIKA Instrument Corporation certifies that the products specified herein have been manufactured to the ASME B40.100 accuracy grade listed.

Tel. 770-513-8200  
Fax 770-338-5118  
www.wika.com  
info@wika.com

**CUSTOMER:** ALLIED RUBBER & GASKET CO.  
5400 SOUTH 66 STREET  
FORT SMITH, AR 72903

**CUSTOMER P.O. NO.:** 26482  
**ORDER NO.:** 865505  
**ORDER DATE:** 9/25/08  
**CUSTOMER P/N:** 6510160  
**WIKA P/N:** 4276176  
**DESCRIPTION:** 111.10SP 4 300PSI 1/4 L AIR/WATER ARGCO  
**GAUGE RANGE(S):** 300PSI  
**QUANTITY:** 6000  
**ACCURACY GRADE:** +/- 3/2/3% OF SPAN  
**AUTHORIZED SIGNATURE:** *Bernadette H. Biggs*  
**DATE:** 1/6/2009



Registered ANSI/ASQ Q9001-2000





**CERTIFICATE OF COMPLIANCE  
ACCURACY STATEMENT**

WIKA Instrument Corporation certifies that the products specified herein have been manufactured to the ASME B40.100 accuracy grade listed.

Pressure and Temperature  
Measurement  
WIKA Instrument Corporation  
1000 Wiegand Boulevard  
Lawrenceville, Georgia 30043

Tel. 770-513-8200  
Fax 770-338-5118  
www.wika.com  
info@wika.com

**CUSTOMER:** ALLIED RUBBER & GASKET CO.  
5400 SOUTH 66 STREET  
FORT SMITH, AR 72903

**CUSTOMER P.O. NO.:** 26482  
**ORDER NO.:** 865505  
**ORDER DATE:** 9/25/08  
**CUSTOMER P/N:** 6510161  
**WIKA P/N:** 4276192  
**DESCRIPTION:** 111.10SP 4 300PSI 1/4 L WATER ARGCO  
**GAUGE RANGE(S):** 300PSI  
**QUANTITY:** 3000  
**ACCURACY GRADE:** +/- 3/2/3% OF SPAN  
**AUTHORIZED SIGNATURE:** *Bernadette H. Biggs*  
**DATE:** 1/6/2009



Registered ANSI/ASQ Q9001-2000

