

## BALL DRIP VALVES



### Automatic Ball Drip Valve

When properly installed, the internal ball rests in the lower most area of the valve body allowing for proper drainage of moisture accumulation. Upon system pressurization, the internal ball is "pushed" into the small end of the ball drip body closing the opening. When system pressure is removed, the ball returns to its original position.

One of the most common uses is on the dry side of the Fire Department Connection valve.

This use helps keep moisture from accumulating inside the Fire Department Connection.

Designed for horizontal installation only.

### Construction:

Body: Cast Brass\*

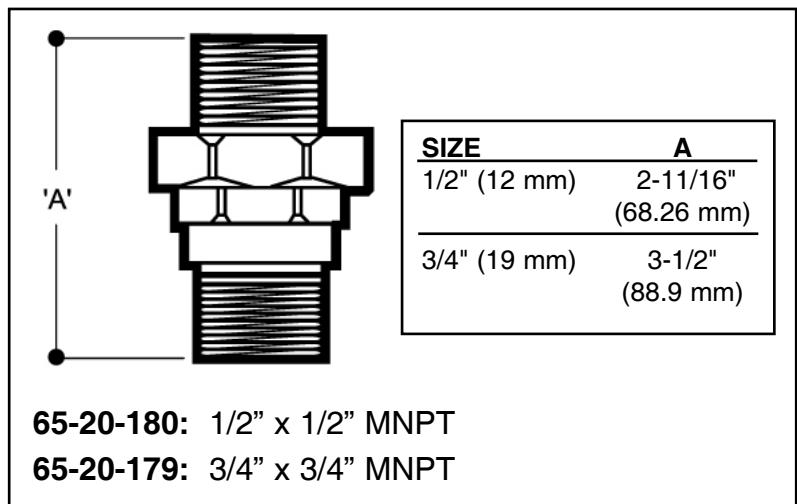
Ball: Brass\*

**Connection:** Straight Connection NPT Both Sides

**Working Pressure:** 175 psi

\*Contains lead.

Not for use in water systems intended for human consumption



### Installation

Proper installation of the brass ball drip can be accomplished with standard piping installation tools.

Make sure the threads are clean and free from burs & debris. Apply a thread sealant suitable for the materials being joined such as Tuf-Glide Thread Sealant, or PTFE tape.

When using a paste type sealant, make sure to brush the sealant deep into the root of the threads.

Thread the ball drip into female threads hand tight.

Finish tightening with a pipe wrench up to one full turn.

**Do not over tighten. Over tightening may damage threads and ball drip.**

Finish piping to allow for proper drainage.

**Valve opens by force of gravity only.**

**Use only in the horizontal position.**

The information contained herein is produced in good faith and is believed to be reliable but is for guidance only. ARGCO and its agents cannot assume liability or responsibility for results obtained in the use of its product by persons whose methods are outside or beyond our control. It is the user's responsibility to determine the suitability of any of the products, methods of use, or preparation prior to use, mentioned in our literature. It is the user's responsibility to observe and adapt such precautions as may be advisable for the protection of personnel and property in the handling and use of any of our products.

**FOR MORE INFORMATION CALL ARGCO AT 1-800-854-1015  
OR LOG ONTO WWW.ARGCO.COM**