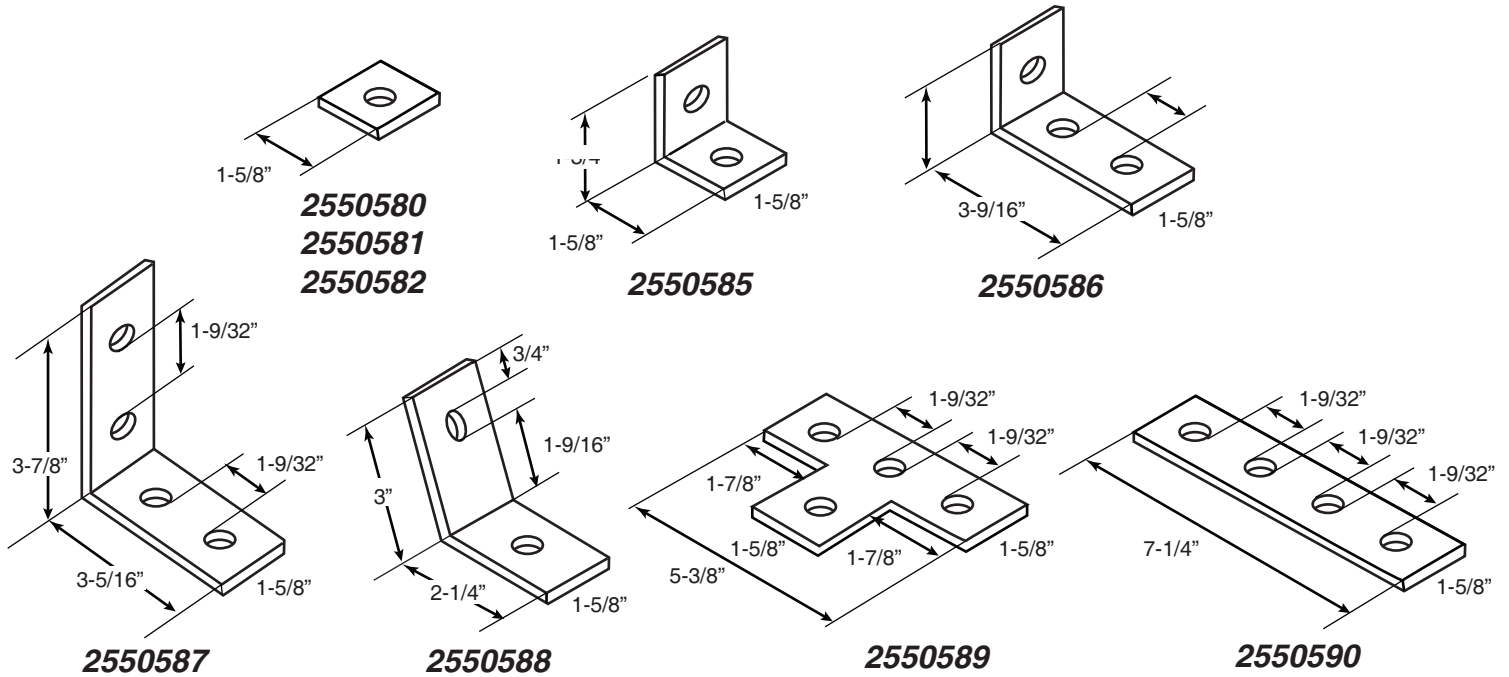


# STRUT ANGLE CONNECTORS



Width: 1-5/8"  
 Hole Size: 1/2"  
 Thickness: 1/4"  
 Electro Galvanized Carbon Steel Construction



|         |  |
|---------|--|
| 2550580 | STRUT WASHER SQUARE CHANNEL 3/8" (100)         |
| 2550581 | STRUT WASHER SQUARE CHANNEL 1/2" (100)         |
| 2550582 | STRUT WASHER SQUARE CHANNEL 5/8" (100)         |
| 2550585 | STRUT ANGLE FITTING 90 DEGREE TWO HOLE (100)   |
| 2550586 | STRUT ANGLE FITTING 90 DEGREE THREE HOLE (100) |
| 2550587 | STRUT ANGLE FITTING 90 DEGREE FOUR HOLE (50)   |
| 2550588 | STRUT ANGLE FITTING 45 DEGREE TWO HOLE (50)    |
| 2550589 | STRUT T PLATE - FOUR HOLE FLAT FITTING (100)   |

|              |  |          |  |
|--------------|--|----------|--|
| System No.   |  | Location |  |
| Submitted By |  | Date     |  |

|              |  |           |  |
|--------------|--|-----------|--|
| Spec Section |  | Paragraph |  |
| Approved     |  | Date      |  |