

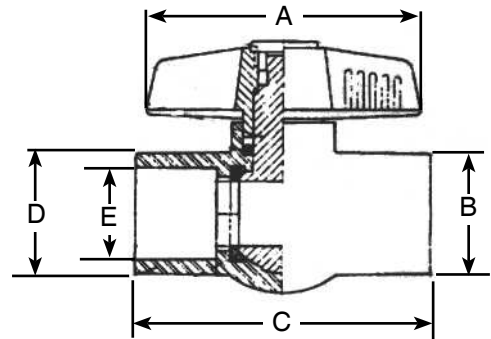
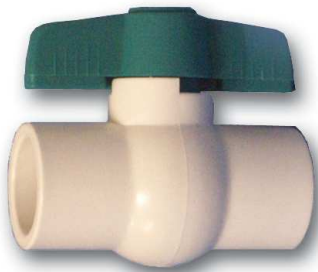
data sheet

ARGCO

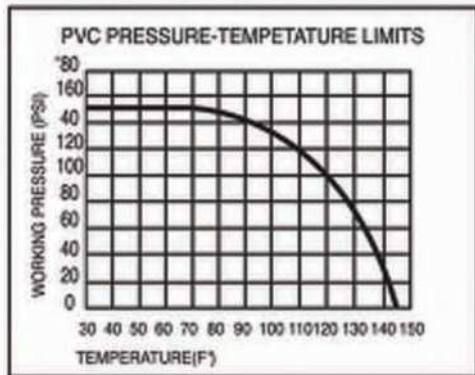
ph: 800.854.1015
 fax: 760.727.3270
 2610 Commerce Way
 Vista, CA 92081
 www.argco.com

PVC BALL VALVES - Slip & Threaded Schedule 40 • 150 psi

- Large port opening
- For use with schedule 40 or 80 pipe
- Quarter turn open or closed
- Complies with ASTM D2466



MATERIALS	
PART	MATERIAL
BODY	PVC
ONE PIECE BALL & STEM	PVC
SEAT	BUNA OR TEFLON
O-RING	EPDM
T-HANDLE	PVC
CAP	ABS



PART #	SIZE	DIMENSIONS				E	
		A	B	C	D	socket	thread
65-21-101	1/2"	2.73"	3.07"	1.24"	0.56"	0.84"	1/2"
65-21-102	3/4"	3.11"	3.58"	1.51"	0.73"	1.05"	3/4"
65-21-103	1"	3.89"	4.25"	1.76"	0.94"	1.32"	1"
65-21-104	1-1/4"	4.40"	4.80"	2.14"	1.17"	1.66"	1-1/4"
65-21-105	1-1/2"	4.40"	5.07"	2.37"	1.33"	1.90"	1-1/2"
65-21-106	2"	5.43"	5.78"	2.98"	1.74"	2.38"	2"

The information contained herein is produced in good faith and is believed to be reliable but is for guidance only. ARGCO and its agents cannot assume liability or responsibility for results obtained in the use of its product by persons whose methods are outside or beyond our control. It is the user's responsibility to determine the suitability of any of the products, methods of use, or preparation prior to use, mentioned in our literature. It is the user's responsibility to observe and adapt such precautions as may be advisable for the protection of personnel and property in the handling and use of any of our products.

**FOR MORE INFORMATION CALL ARGCO AT 1-800-854-1015
 OR LOG ONTO WWW.ARGCO.COM**