

data sheet

ARGCO



C-Clamp - Steel



Designed for attaching hanger rod to the bottom flange of a beam. the hanger rod should make contact with the beam flange to ensure full engagement.

Approvals:

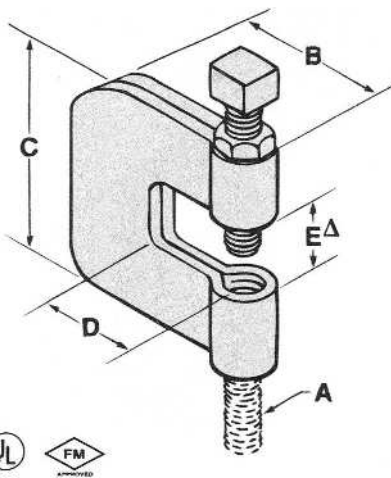
Underwriter's Laboratories listed

Factory Mutual approved.

Complies with Specification A-A-1192A and Manufacturer's Standardization Society SP-69.

Material: Low carbon steel with hardened steel cup point set screw

Finish: Electro-galvanized



CROSS REFERENCE

ITEM #	ROD SIZE	B	C	D	E	MAX. PIPE SIZE	MAX. REC. LOAD LBS.	ERICO®	FASTENAL®
25-50-068	3/8"	2-1/4	2-3/8"	7/8"	3/4"	4"	400	2000037EG	46761

The information contained herein is produced in good faith and is believed to be reliable but is for guidance only. ARGCO and its agents cannot assume liability or responsibility for results obtained in the use of its product by persons whose methods are outside or beyond our control. It is the user's responsibility to determine the suitability of any of the products, methods of use, or preparation prior to use, mentioned in our literature. It is the user's responsibility to observe and adapt such precautions as may be advisable for the protection of personnel and property in the handling and use of any of our products.

**FOR MORE INFORMATION CALL ARGCO AT 1-800-854-1015
OR LOG ONTO WWW.ARGCO.COM**