

data sheet

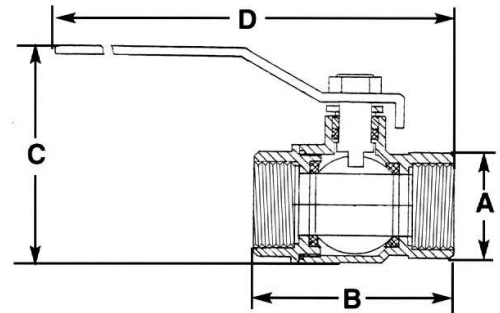
ARGCO

Forged Brass Ball Valves - 1/2" restricted orifice 600# • ips

- Quality forged brass construction eliminates porosity
- Maximum temperature is 400° @ 100 psi
- PTFE seats and seals
- Max working pressure rated 600 WOG, 150 WSP & 175 PSIG & 1/2G 2G 5G
- Viton O-ring to prevent stem leakage
- Designed for use with Test & Drain Valve



		DIMENSIONS			
PART #	SIZE	A	B	C	D
65-20-184A	1"	0.94"	2.76"	2.17"	4.53"
65-20-183A	1-1/4"	1.26"	3.35"	2.80"	4.53"



UL File No: MH27906



CSA File No: ISO 9001
2041220000

MATERIALS

PART	MATERIAL
BODY	BRASS
SEALING WASHER	PTFE
CHROME PLATED BALL	BRASS
GLAND WASHER	PTFE
BALL PACKING	PTFE
LOCK WASHER	STAINLESS STEEL
HANDLE NUT	STAINLESS STEEL
STEM	BRASS
PACKING NUT	BRASS
CAP	BRASS
ZINC PLATE HANDLE	CARBON STEEL