

BRASS BALL VALVES

600# THREADED FULL PORT



Function:

Used in the trim assembly of alarm check, dry pipe and automatic water control valves. Used to manually control the flow of water to small, open-head extinguishing systems and as a zone control valve.

Regularly Furnished:

Forged brass body. Cadmium plated vinyl insulated handle. Chrome plated brass ball with nylon seat. Female NPT inlet and outlet. Size as selected by item number.

Material: Forged Brass

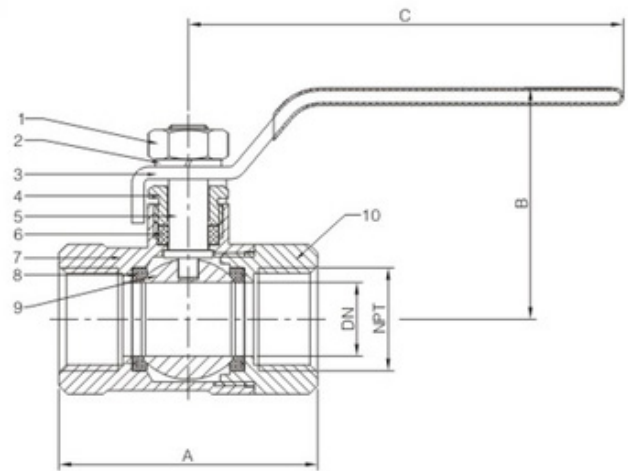
Maximum Working Pressure: 600 psi

Available Sizes: 1/4" through 4"

Threaded Female IPS

Threads comply with ANSIB1.20.1

CERTIFICATIONS/LISTINGS



ITEM #	Nominal Size	A	B	C	Inner Box	Master Box
6520400UL	1/4"	1.70"	1.71"	3.46"	15	120
6520401UL	3/8"	1.70"	1.71"	3.46"	15	20
6520402UL	1/2"	2.07"	1.85"	3.46"	15	120
6520403UL	3/4"	2.38"	2.13"	4.33"	10	60
6520404UL	1"	2.89"	2.28"	5.51"	8	48
6520405UL	1-1/4"	3.27"	2.80"	5.51"	4	24
6520406UL	1-1/2"	3.62"	2.99"	5.51"	2	24
6520407UL	2"	4.01"	3.27"	5.51"	2	12
6520408	2-1/2"	5.35"	4.59"	9.06"	2	6
6520409	3"	5.83"	4.86"	9.06"	2	4
6520410	4"	7.28"	5.67"	10.0"	1	2

NO.	PART	SPECIFICATION
1	Nut	Steel
2	Lock Washer	Steel
3	Handle	Steel
4	Gland Nut	ASTM B124
5	Stem	ASTM B124
6	Stem Packing	PTFE
7	Body	ASTM B124
8	Seat Ring	PTFE
9	Ball	ASTM Chrome Plated
10	Bonnet	ASTM B124

Call Argco for current listings and approvals. Dimensions are subject to manufacturer's tolerance and may change without notice. Argco assumes no responsibility for use of void or superceded data. Please visit argco.com for most current specifications.

System No.		Location		Spec Section		Paragraph	
Submitted By		Date		Approved		Date	