

GROOVED BUTTERFLY VALVE WITH TAMPER SWITCH

Model BFLY-G300



Available Sizes
2-1/2" through 8" (50/300 mm)

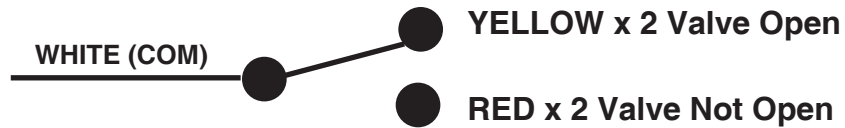
Designed for Fire Protection Services Only

Weatherproof actuator housing approved for indoor and outdoor use.

- Design Standard: API609
- Connection Ends: Groove to AWWA C606
- Top Flange Standard: ISO 5211
Stem drive by keys, parallel or diagonal square of flat head
- Working Pressure: 300PSI
- Temperature Range: 32° to 176° F
- Coating: Fusion Bonded Epoxy Coating in accordance with ANSI/AWWA

WIRING DIAGRAM:

SUPERVISORY SWITCH



AUXILIARY SWITCH



ACTUATOR CASE GROUND

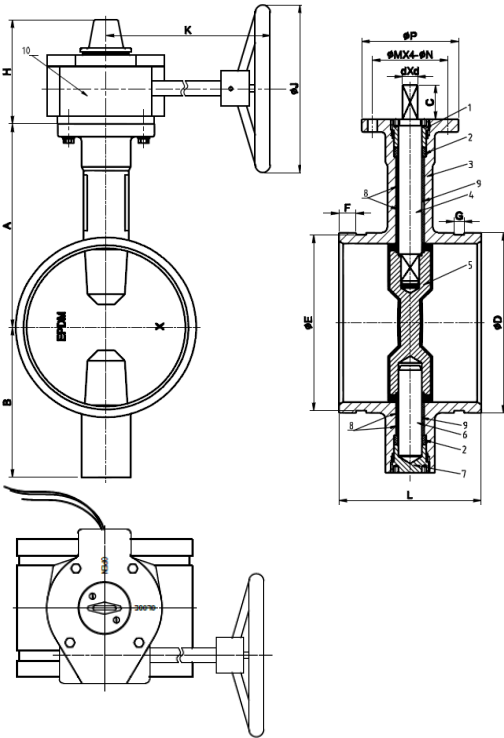
GREEN



| | | | | | | | |
|--------------|--|----------|--|--------------|--|-----------|--|
| System No. | | Location | | Spec Section | | Paragraph | |
| Submitted By | | Date | | Approved | | Date | |

GROOVED BUTTERFLY VALVE WITH TAMPER SWITCH

Model BFLY-G300



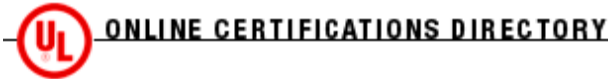
SPECIFICATIONS: MATERIAL

1. **Upper Shaft Sealing Nut**
2. **Shaft (Stem) Seal:** EPDM
3. **Body:** Ductile Iron conforming to ASTM A-536, Grade 65-45-12
4. **Upper Shaft (Stem):** 416 stainless steel conforming to ASTM A-582
5. **Disc:** Ductile Iron conforming to ASTM A-536, Grade 65-45-12, with EPDM Coating
6. **Lower Shaft (Stem):** 416 stainless steel conforming to ASTM A-582
7. **Lower Shaft (Stem) Sealing Nut:** WCB conforming to ASTM A-216
8. **Stem Bushing:** PTFE conforming to ASTM A-4894
9. **O-Ring (Seat):** Grade "E" EPDM conforming to ASTM D-2000
10. **Gear Box:**



| Item # | Size | A | B | C | D | E | F | G | H | J | P | M | N | D | L |
|---------|--------|------|------|------|-------|-------|------|------|------|------|------|------|------|------|------|
| 6520250 | 2-1/2" | 4.92 | 3.74 | 1.26 | 2.87 | 2.72 | 0.63 | 0.31 | 4.37 | 5.98 | 3.54 | 2.76 | 0.35 | 0.39 | 3.8 |
| | | | | | 3 | 2.85 | | | | | | | | | |
| 6520251 | 3" | 5.51 | 3.94 | 1.26 | 3.5 | 3.34 | 0.63 | 0.31 | 4.37 | 5.98 | 3.54 | 2.76 | 0.35 | 0.39 | 3.82 |
| 6520252 | 4" | 6.3 | 3.94 | 1.26 | 4.5 | 4.33 | 0.63 | 0.31 | 4.37 | 5.98 | 3.54 | 2.76 | 0.35 | 0.43 | 4.53 |
| 6520253 | 6" | 7.48 | 5.51 | 1.26 | 6.5 | 6.33 | 0.63 | 0.37 | 4.37 | 7.87 | 3.54 | 2.76 | 0.35 | 0.63 | 5.21 |
| | | | | | 6.63 | 6.46 | | | | | | | | | |
| 6520254 | 8" | 9.06 | 6.89 | 1.26 | 8.52 | 8.33 | 0.75 | 0.44 | 4.96 | 11.4 | 4.92 | 4.02 | 0.47 | 0.75 | 5.8 |
| | | | | | 8.63 | 8.46 | | | | | | | | | |
| 6520255 | 10" | 10.2 | 7.87 | 1.77 | 10.53 | 10.56 | 0.75 | 0.5 | 4.96 | 11.4 | 4.92 | 4.02 | 0.47 | 0.87 | 6.26 |
| | | | | | 10.75 | 12.32 | | | | | | | | | |

| | | | | | | | |
|--------------|--|----------|--|--------------|--|-----------|--|
| System No. | | Location | | Spec Section | | Paragraph | |
| Submitted By | | Date | | Approved | | Date | |



HLXS.EX27392 Butterfly Valves

[Page Bottom](#)

Butterfly Valves

[See General Information for Butterfly Valves](#)

ALLIED RUBBER & GASKET CO INC, DBA ARGCO

EX27392

5400 S 66th St
Fort Smith, AR 72903 USA

| Model | Size, NPS | Body Type | Pressure Rating, psig (Bar) | Indicator Post | Supervisory Switch* |
|------------------------|---|-----------|-----------------------------|----------------|---------------------|
| Butterfly valve | | | | | |
| ARG-BFLY-G300 | 2, 2.5(76.1mm), 2.5, 3, 4, 5, 5 (139.7 mm), 6, 6 (165.1 mm) | Groove | 300 | — | I/O |
| | 8, 8 (216.3 mm), 10, 10 (267.4 mm) | | | — | I/O |
| | 12, 12 (318.4 mm) | | | — | I/O |
| ARG-BFLY-W300 | 2, 2.5, 3, 4, 5, 6 | Wafer | 300 | — | I/O |
| | 8, 10 | | | — | I/O |
| | 12 | | | — | I/O |

Note: F-Flange, G-Groove

* I = Indoor installation; O = Outdoor installation

[Last Updated](#) on 2017-01-13

[Questions?](#)

[Print this page](#)

[Terms of Use](#)

[Page Top](#)

© 2017 UL LLC

The appearance of a company's name or product in this database does not in itself assure that products so identified have been manufactured under UL's Follow-Up Service. Only those products bearing the UL Mark should be considered to be Certified and covered under UL's Follow-Up Service. Always look for the Mark on the product.

UL permits the reproduction of the material contained in the Online Certification Directory subject to the following conditions: 1. The Guide Information, Assemblies, Constructions, Designs, Systems, and/or Certifications (files) must be presented in their entirety and in a non-misleading manner, without any manipulation of the data (or drawings). 2. The statement "Reprinted from the Online Certifications Directory with permission from UL" must appear adjacent to the extracted material. In addition, the reprinted material must include a copyright notice in the following format: "© 2017 UL LLC".

Indicating Valves, Butterfly or Ball Type

Design features provide a dependable visible indication of the open position even at a distance. If excessive force is applied to the handle, weakness-joints will break so as to preserve correct orientation between indicator and valve position. Valve and indicator parts are so designed that they can be assembled only one way, always to give correct indication. All FM Approved indicating valves turn clockwise to shut. They are small, lightweight, and, because of a resilient seat, are easy to operate. They are not subject to sticking or dropped gates. They are not recommended for throttling service. Unless otherwise noted in the listing, these valves have 175 psi (1205 kPa) rated working pressure.

Model Nos. ARG-BFLY-G300, ARG-BFLY-W300

| Model Number | Product Type | Nominal Pipe Size, mm | Rated Working Pressure, psi (kPa) | Remarks |
|---------------|-------------------------------|--|-----------------------------------|---------|
| ARG-BFLY-G300 | Butterfly Valve, Grooved Ends | 2-1/2, 3, 4, 6, 8 (65, 80, 100, 150, 200) | 300 (2070) | a, c, d |
| ARG-BFLY-W300 | Butterfly Valve, Wafer Style | 2-1/2, 3, 4, 6, 8 (65, 80, 100, 150, 200) | 300 (2070) | a, c, d |

Remarks:

- a. Available with dual supervisory switches.
- c. FM Approved for aboveground installations only.
- d. FM Approved for indoor and outdoor use.

| | |
|-------------------------------------|---|
| Company Name: | Allied Rubber & Gasket Company (ARGCO) |
| Company Address: | 5816 Dryden Place, Suite 101, Carlsbad, California 92008, USA |
| Company Website: | http://argco.com |
| New/Updated Product Listing: | No |
| Listing Country: | United States of America |
| Certification Type: | FM Approved |