

FIRE HOSE ANGLE VALVES



Angle Hose Valves Aluminum handwheel

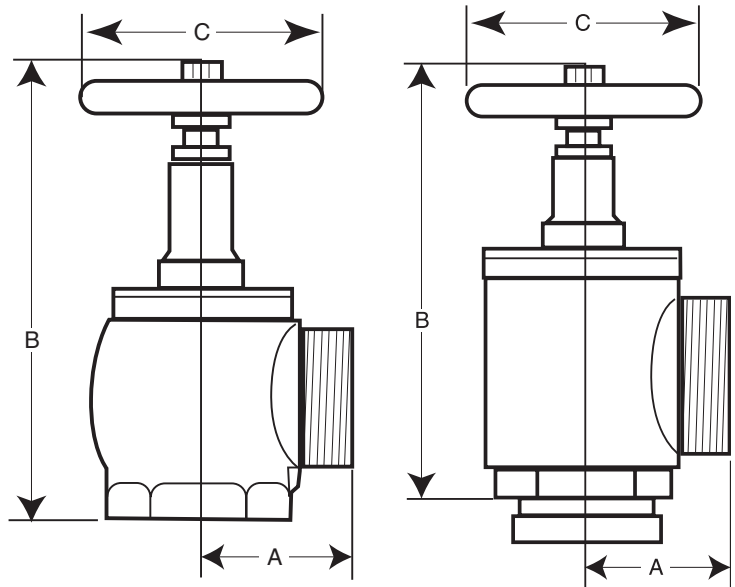
- 2-1/2" (65 mm)
- Approved 300 lb. (2070 kPa) pressure tested
- Lightweight cast brass body
- Forgeline Bonnett & Seat Assembly.
- UL, ULC listed and FM approved.
- Cap to be used for thread protection only.
- Finish : Cast Brass. Available chrome plated brass
- 9 lbs. (4.09 kg)
- See page 2 for Friction Loss Data

6520010A: Angle Hose Valve Cast Brass
2-1/2" (F) NPT x 2-1/2"(M) NST

6520010C: Angle Hose Valve Chrome Plated Cast Brass
2-1/2" (F) NPT x 2-1/2"(M) NST

6520010GROOVED: Angle Hose Valve GROOVE
2-1/2" GROOVE x 2-1/2"(M) NST

City Threads Available:
Visit ARGCO.com for details



Now available:
Chrome Plated Brass

	A	B (open)	B (closed)	C
NPT	3-3/16" (79mm)	11" (275mm)	9-1/4" (231mm)	5" (125mm)
GROOVE	3-3/16" (125mm)	11.8" (300mm)	10.5" (267mm)	5" (125mm)

System No.		Location		Spec Section		Paragraph	
Submitted By		Date		Approved		Date	

data sheet



2-1/2" SIZE ANGLE HOSE VALVES FRICTION LOSS - CV VALUE 147

