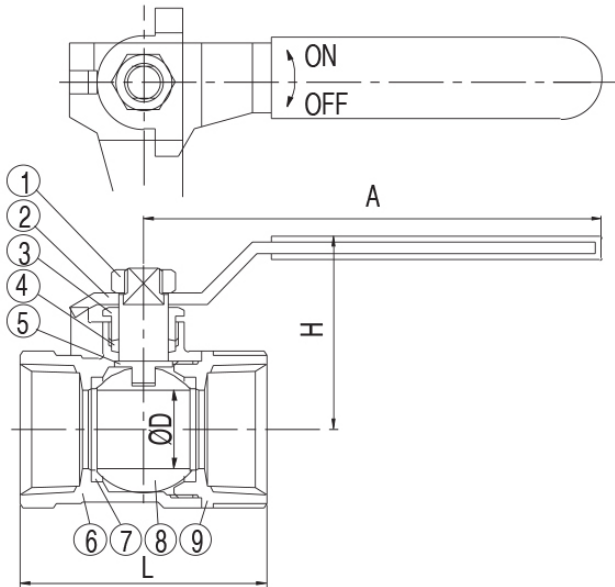
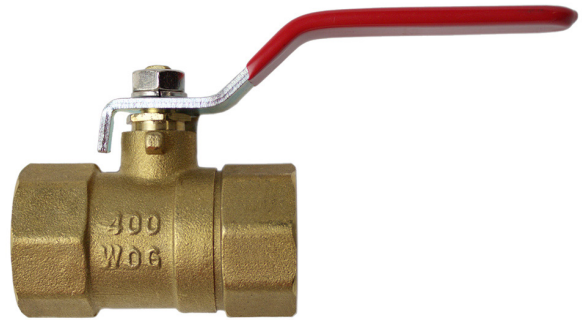


BALL VALVES FORGED BRASS STANDARD PORT • 400# • NPT THREAD



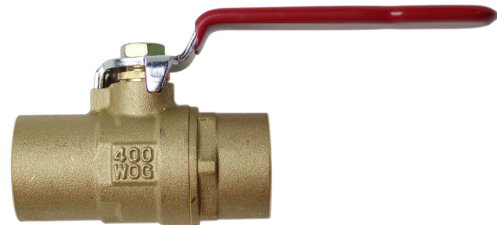
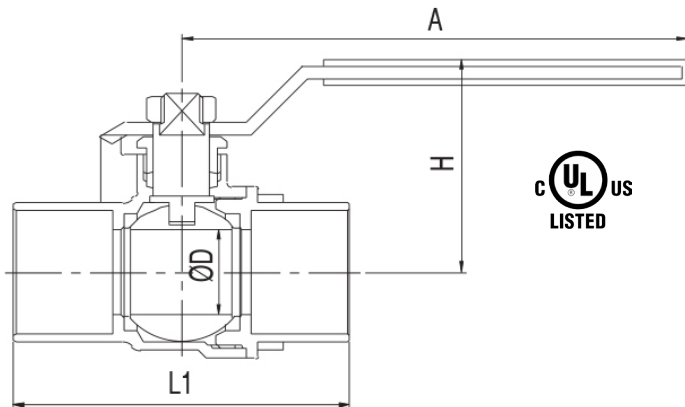
- Quality forged brass construction eliminates porosity
- Maximum temperature is 400° @ 100 psi
- PTFE seats and seals
- 400 W.O.G.
- 150 PSI Saturated Steam



DIMENSIONS								
ITEM #	SIZE	L	L1	H	D	A	BOX	CASE
6520420	1/4"	1.73"	-	1.45"	0.39"	3.31"	180	400
6520421	3/8"	1.73"	1.61"	1.45"	0.39"	3.31"	180	400
6520422	1/2"	1.89"	1.89"	1.45"	0.39"	3.31"	120	400
6520423	3/4"	2.20"	2.64"	1.57"	0.59"	3.31"	90	360
6520424	1"	2.44"	3.07"	1.97"	0.79"	4.65"	60	180
6520425	1-1/4"	2.91"	3.42"	2.13"	0.98"	4.65"	36	120
6520426	1-1/2"	1.73"	4.02"	2.60"	1.26"	5.28"	24	80
6520427	2"	3.66"	4.80"	2.76"	1.49"	5.28"	16	60

MATERIALS	
PART	MATERIAL
NUT	STEEL
HANDLE	STEEL
STEM GLAND SCREW	CAST BRASS
STEM PACKING	VIRGIN PTFE
STEM	EXTRUDED BRASS
BODY	FORGED BRASS
BALL DISC PACKING	VIRGIN PTFE
BALL DISC	BRASS
END PLUG	FORGED BRASS
HANDLE COVER	VINYL JACKET

STANDARD PORT • 400# • CXC



DIMENSIONS								
ITEM #	SIZE	L	L1	H	D	A	BOX	CASE
6520432	1/2"	1.89"	1.89"	1.45"	0.39"	3.31"	120	400
6520433	3/4"	2.20"	2.64"	1.57"	0.59"	3.31"	90	360
6520434	1"	2.44"	3.07"	1.97"	0.79"	4.65"	60	180
6520435	1-1/4"	2.91"	3.42"	2.13"	0.98"	4.65"	36	120
6520436	1-1/2"	1.73"	4.02"	2.60"	1.26"	5.28"	24	80
6520437	2"	3.66"	4.80"	2.76"	1.49"	5.28"	16	60

System No.		Location	
Submitted By		Date	

Spec Section		Paragraph	
Approved		Date	