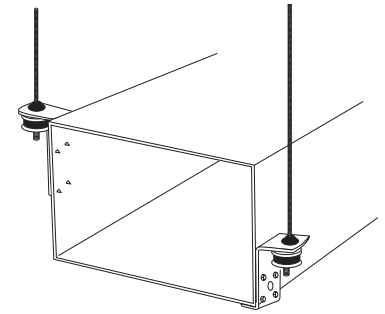


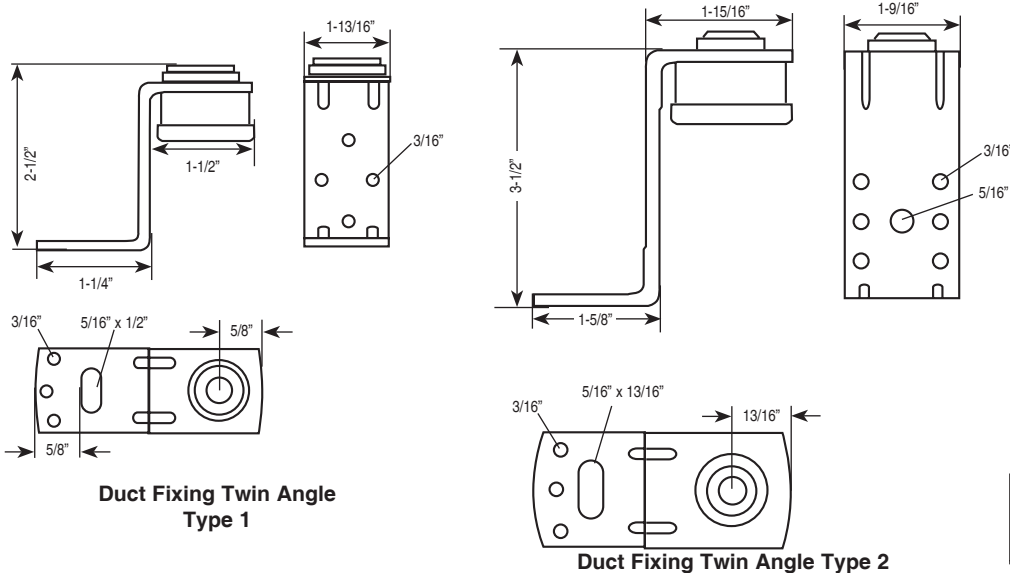
DUCT SUPPORT ANGLE (Z) DUCT, FURNACE, AIR HANDLER ISOLATION SUPPORT BRACKET



- Horizontally fastens to top or bottom of beam
- Easy to install suspension for air ducts
- Features rubber sound insulation
- Easy alignment and height adjustment with threaded rod
- Holes to fasten to air duct with rivets, self-drilling screws or bolts
- Zinc plated steel 1/8" thick for 3/8" rod
- Ideal for hanging furnaces

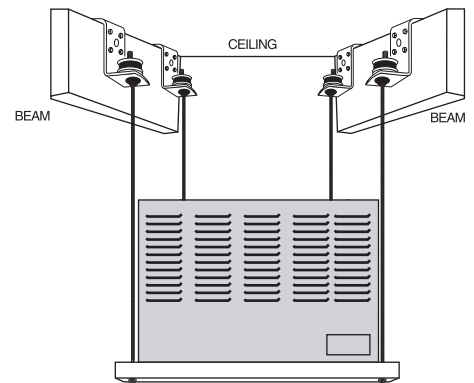


DUCT INSTALLATION



Duct Fixing Twin Angle
Type 1

Duct Fixing Twin Angle Type 2



FURNACE INSTALLATION

Item #	DESCRIPTION	Max. Rec.Load
2540176	Duct Fixing Angle Twin Type 1 (Z)	52 lbs.
2540171	Duct Fixing Angle Twin Type 2 (Z)	180 lbs.

System No.		Location		Spec Section		Paragraph	
Submitted By		Date		Approved		Date	