

HOSE BIBB

Forged Brass, MIPS x Hose Bibb



Available Size: 1/2"-3/4" (200WOG)

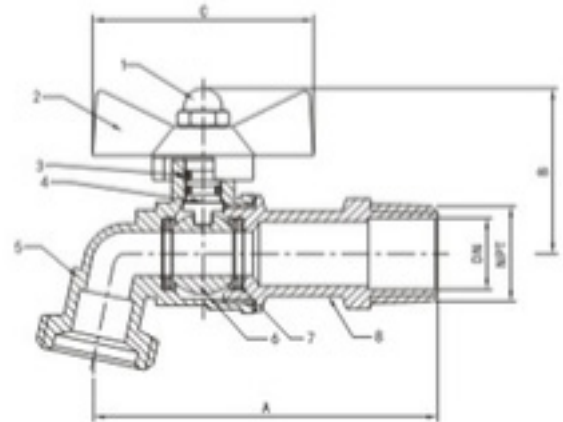
Threaded complies with ANSI B 1.20.1

Meets MSS SP-110 Specification



ITEM #	Nominal Size in	DN	A	B	C
6520936	1/2"	0.63	3.03	1.46	2.07
6520937	3/4"	0.77	3.19	1.46	2.22

NO.	PART	SPECIFICATION
1	Cap Nut	Steel
2	Handle	Aluminum
3	O-ring	NBR
4	Stem	ASTM B124
5	Body	ASTM B124
6	Seat Ring	Teflon (P.T.F.E.)
7	Ball	ASTM B124 Chromeplated
8	Bonnet	ASTM B124



System No.		Location		Spec Section		Paragraph	
Submitted By		Date		Approved		Date	