

# 2.5" Straight Pattern Brass Gate Valve

Female Hose thread Male Hose thread



2.5" Straight Pattern Brass Gate Valve with non-rising stem. For use on hydrants, standpipes and fire pumps up to 300 lbs (2070 kPa) applications.

Brass body and brass trim and comes with a red speed handle and either rocker or pin lug swivel on the inlet and male hose thread on the outlet. Specify hose thread.

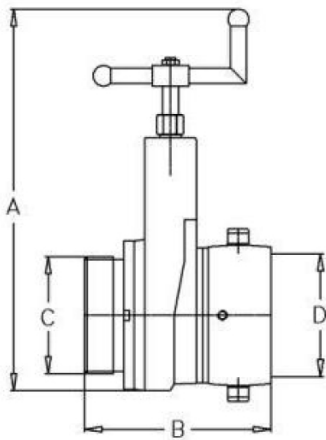
FINISH: Cast Brass

Item # 6520020  
6520021

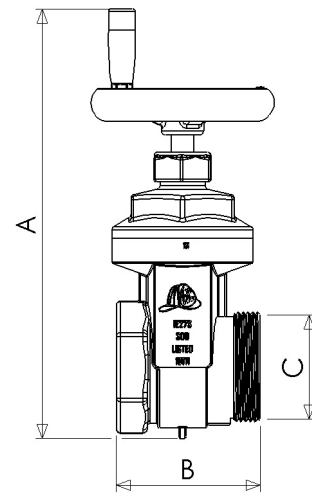


**6520020:** with Male Swivel Hose Thread

**6520021:** with Male Hose Thread



A= 11" (279.4mm)  
B= 4.95" (125.72mm)  
C= Subject to Hose Thread  
D= Subject to Hose Thread



A= 12" (305 mm)  
B= 4.02" (102 mm)  
C= Subject to Hose Thread

System No.		Location		Spec Section		Paragraph	
Submitted By		Date		Approved		Date	

**VTSR.EX5270  
Hose Valves**[Page Bottom](#)**Hose Valves**[See General Information for Hose Valves](#)**WILSON & COUSINS, DIV OF PALAMAR INDUSTRIES**

EX5270

UNIT M

4390 PALETTA CT

BURLINGTON, ON L7L 5R2 CANADA

**Angle types, 1-1/2 in., for 300 psi working pressure, for use on stand pipes, Model(s) IE25H****Angle types, 2-1/2 in., for 300 psi working pressure, for use on stand pipes, Model(s) IE23, IE23G****Straightway types, 2-1/2 in., for 300 psi working pressure, for use on standpipes, Model(s) IE27S, IE27W****Straightway types, 3 in. x 2-1/2 in., for 300 psi working pressure, for use on standpipes, Model(s) IE273S**[Last Updated](#) on 2016-04-13[Questions?](#)[Print this page](#)[Terms of Use](#)[Page Top](#)

© 2017 UL LLC

The appearance of a company's name or product in this database does not in itself assure that products so identified have been manufactured under UL's Follow-Up Service. Only those products bearing the UL Mark should be considered to be Certified and covered under UL's Follow-Up Service. Always look for the Mark on the product.

UL permits the reproduction of the material contained in the Online Certification Directory subject to the following conditions: 1. The Guide Information, Assemblies, Constructions, Designs, Systems, and/or Certifications (files) must be presented in their entirety and in a non-misleading manner, without any manipulation of the data (or drawings). 2. The statement "Reprinted from the Online Certifications Directory with permission from UL" must appear adjacent to the extracted material. In addition, the reprinted material must include a copyright notice in the following format: "© 2017 UL LLC".

System No.		Location		Spec Section		Paragraph	
Submitted By		Date		Approved		Date	

## Hose Valves

Hose valves of 1 1/2 in. (38 mm) may be used on connections from sprinkler systems; 2 1/2 in. (64 mm) valves are used on hose standpipes and fire pump headers. For pressures above 175 psi (1205 kPa), an appropriate pressure reducing device shall be used.

### Hose Valves, Straightway

#### Models IE27W, IE27S, IE273S

<i>Model Designation</i>	<i>Size, inch NPS</i>	<i>End Connections</i>	<i>Rated Working Pressure, psi (kPa)</i>
IE27W	2-1/2	Rocker or pin lug swivel inlet x Male hose thread outlet	300 (2070)
IE27S	2-1/2	Female NPT inlet x Male hose thread outlet	300 (2070)
IE273S	3 x 2-1/2	Female NPT inlet x Male hose thread outlet	300 (2070)

<b>Company Name:</b>	Wilson & Cousins Interior Fire Protection
<b>Company Address:</b>	4390 Paletta Court, Burlington, Ontario L7L 5R2, CAN
<b>Company Website:</b>	<a href="http://www.wilsonandcousins.com">http://www.wilsonandcousins.com</a>
<b>New/Updated Product Listing:</b>	No
<b>Listing Country:</b>	Canada
<b>Certification Type:</b>	FM Approved

System No.		Location		Spec Section		Paragraph	
Submitted By		Date		Approved		Date	