

data sheet

ARGCO



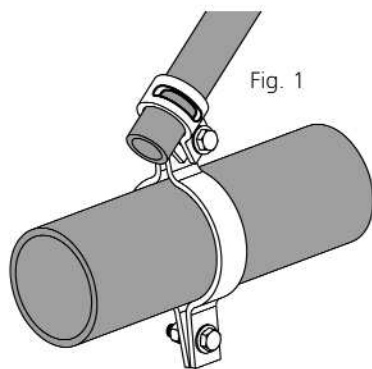
LONGITUDINAL SWAY BRACE PIPE ATTACHMENT

- Size Range: 1" thru 8" braced pipe
- Used for laterally and longitudinally bracing piping against sway
- Complies with NFPA® 13
- Finish: Electro-zinc plated (EG)

NOTE: Also available in Plain (PL) finish



Nº	Fig. No.	A (Service Pipe Size) (in)	B (Brace Pipe Size) (in)	C (in)	D (in)
TP2301000100EG	1	1	1	3/16	1
TP2301000125EG	1	1-1/4	1	3/16	1
TP2301000150EG	1	1-1/2	1	3/16	1
TP2301000200EG	1	2	1	3/16	1
TP2301000250EG	1	2-1/2	1	3/16	1
TP2301000300EG	1	3	1	3/16	1
TP2301250125EG	1	1-1/4	1-1/4	3/16	1
TP2301250150EG	1	1-1/2	1-1/4	3/16	1
TP2301250200EG	1	2	1-1/4	3/16	1
TP2301250250EG	1	2-1/2	1-1/4	3/16	1
TP2301250300EG	1	3	1-1/4	3/16	1



The information contained herein is produced in good faith and is believed to be reliable but is for guidance only. ARGCO and its agents cannot assume liability or responsibility for results obtained in the use of its product by persons whose methods are outside or beyond our control. It is the user's responsibility to determine the suitability of any of the products, methods of use, or preparation prior to use, mentioned in our literature. It is the user's responsibility to observe and adapt such precautions as may be advisable for the protection of personnel and property in the handling and use of any of our products.

**FOR MORE INFORMATION CALL ARGCO AT 1-800-854-1015
OR LOG ONTO WWW.ARGCO.COM**