

# data sheet

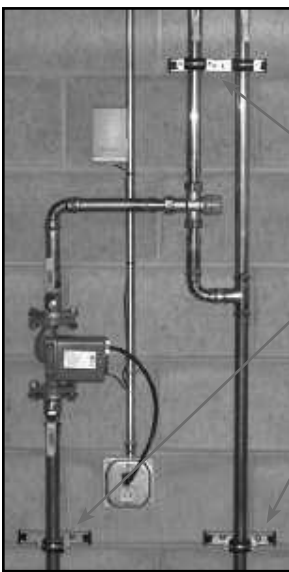
## ARGCO



### MINI-STRUT (LIGHTWEIGHT SUPPORT CHANNEL) DON'T OVER-ENGINEER!

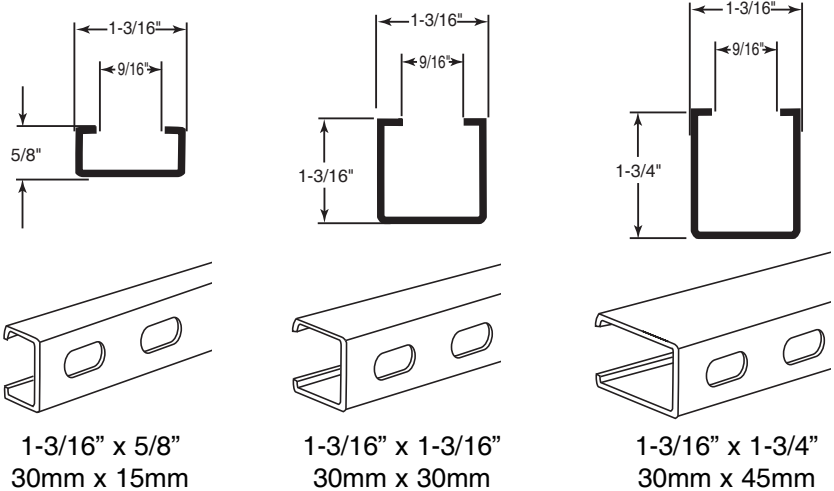


- Quick, lightweight, strong attachment of single or multiple pipes horizontally or vertically
- Unlimited applications - range of system components
- C-Profile with continuous perforation & marked scale for easy measurement
- Perforated to a repeated pattern designed to achieve strength requirements of the strut
- Ideal for air duct support
- Galvanized steel construction



With this system, bring the clamp to the pipe instead of bringing the pipe to the clamp.

- Fully adjustable
- Save time and money...
- Use fewer fittings!



Material: Cold formed low-carbon strip steel. Pre-Galvanized 14 Ga.

#### MINI-STRUT DIMENSIONS

Item #	Profile (WxH)	Metric	Opening	LENGTH
* 2540300	1" x 3/4"	27x18mm	9/16"	12"
2540301	1-1/8" x 1-3/16"	28x30mm	9/16"	48"
* 2540518	1-3/16" x 5/8"	30x15mm	9/16"	6"
2540519	1-3/16" x 5/8"	30x15mm	9/16"	12"
* 2540522	1-3/16" x 1-3/16"	30x30mm	9/16"	48"
2540524	1-3/16" x 1-3/4"	30x45mm	9/16"	48"

\*INCLUDES END CAPS

#### Protective End Caps



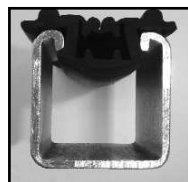
#### MINI-STRUT END CAPS

Item #	Profile (WxH)	Metric
2540540	1-3/16" x 5/8"	30x15mm
2540541	1-3/16" x 1-3/16"	30x30mm
2540544	1-3/16" x 1-3/4"	30x45mm



#### Mini Strut Insulation

- Extruded rubber profile
- Noise and age resistant
- Made of black EPDM rubber



Part #	Description
2540528	Insulation for Mini Strut 2" piece
2540530	Insulation for Mini Strut 100 ft. roll

FOR MORE INFORMATION CALL ARGCO AT 1-800-854-1015  
OR LOG ONTO WWW.ARGCO.COM