

NRS Gate Valve - Mechanical Joint Ends

Technical Features

- **Mechanical Joint Ends:** Complies with ANSI/AWWA C111 Standard
- **Sizes:** 3", 4", 6", 8", 10", 12"
- **Approvals:** UL, FM
- **Type:** Resilient Wedge, Non-Rising Stem
- **Maximum Working Pressure:** 200 PSI / 250 PSI / 300 PSI
- **Working Temperature:** 33.8°F - 125.6°F
- **Finish:** Epoxy Coated Interior and Exterior
- Indicator Post Pattern
- Meets or exceeds all applicable requirements of ANSI/AWWA C515

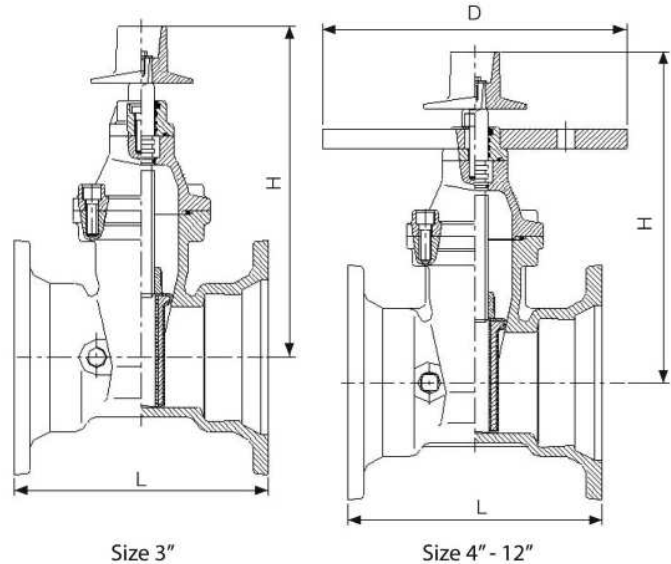


ANRS2-MM
200 PSI

ANRS25-MM
250 PSI

ANRS3-MM
300 PSI

Component	Material	Specification
Body	Ductile Iron	A536 65-45-12
Wedge	Ductile Iron with EPDM Coated	
Disc Nut	Bronze	ASTM B62
Stem	Stainless Steel	AISI 420
Thrust Collar	Bronze	ASTM B62
Bonnet	Ductile Iron	A536 65-45-12
Gasket	EPDM	Commercial
Gland	Ductile Iron	A536 65-45-12
O-ring	EPDM	Commercial
Post Flange	Ductile Iron	A536 65-45-12
Wrench Nut	Ductile Iron	A536 65-45-12
NPT Plug	Malleable Iron	
Bolt on Post Flange	Stainless Steel	AISI 316
Bolt on Bonnet Flange	Carbon Steel	A307 B



Dimensions

Size	3"		4"		6"		8"		10"		12"	
	inch	mm	inch	mm	inch	mm	inch	mm	inch	mm	inch	mm
L	9-1/2	241	10	254	11-1/2	292	12-1/2	318	14-3/4	375	14-7/8	378
H	11-5/8	296	13-3/4	350	17-15/16	455	21-7/16	545	25-3/8	645	28-3/4	730
D	-	-	12	305	12	305	12	305	12	305	12	305

The information contained herein is produced in good faith and is believed to be reliable but is for guidance only. ARGCO and its agents cannot assume liability or responsibility for results obtained in the use of its product by persons whose methods are outside or beyond our control. It is the user's responsibility to determine the suitability of any of the products, methods of use, or preparation prior to use, mentioned in our literature. It is the user's responsibility to observe and adapt such precautions as may be advisable for the protection of personnel and property in the handling and use of any of our products.

**FOR MORE INFORMATION CALL ARGCO AT 800-854-1015
OR LOG ONTO ARGCO.COM**