

data sheet

ARGCO



PACE 1039 PORTABLE “IN THE AIR” ROLL GROOVER

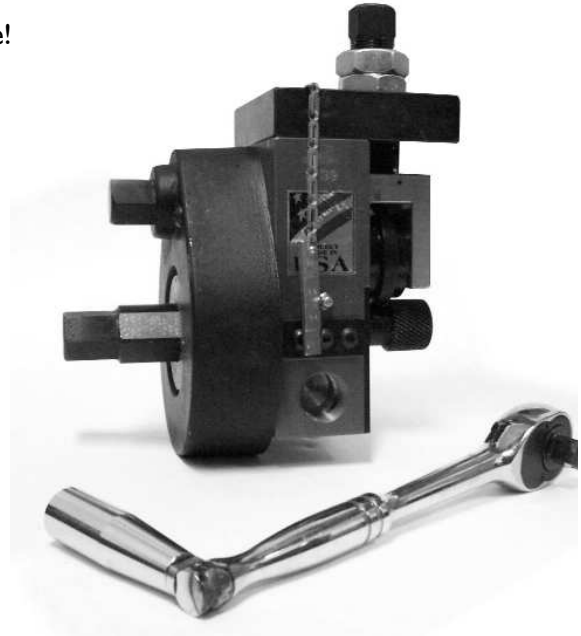
The rugged self-contained portable roll groover that is two tools in one! Time is money. Especially when you're up in the air. Now ARGCO has a tool that can eliminate hassles in the air and save you lots of time and money.

The Pace 1039 Mini-Mite™ Roll Groover service tool goes from in-place grooving to machine grooving in one motion without the need of spending valuable time looking for tools. The 1039 is self-contained, it can be entirely operated with its own multi-function crank so there are no other tools needed.

The 1039 is totally portable. It features rugged construction with a larger top roller bearing, heavier top slide and more material in the housing to make for more durability.

And all hex drives on the Pace 1039 are 15/16" so one wrench fits everything.

The Pace 1039 is simple to operate. It roll grooves in 1-1/4" to 6" schedule 40 or thin wall steel pipe on the scaffold or anywhere power is unavailable. It also has the ability to chuck in a Ridgid 300 - in just seconds. (no gearbox removal).



SPECIFICATIONS

Weight: 19 lbs.

Capacity: 1-1/4" - 6" sch 40 or thin wall steel pipe

Tools required: all included

Hex drives: all 15/16"

Construction: heavy duty

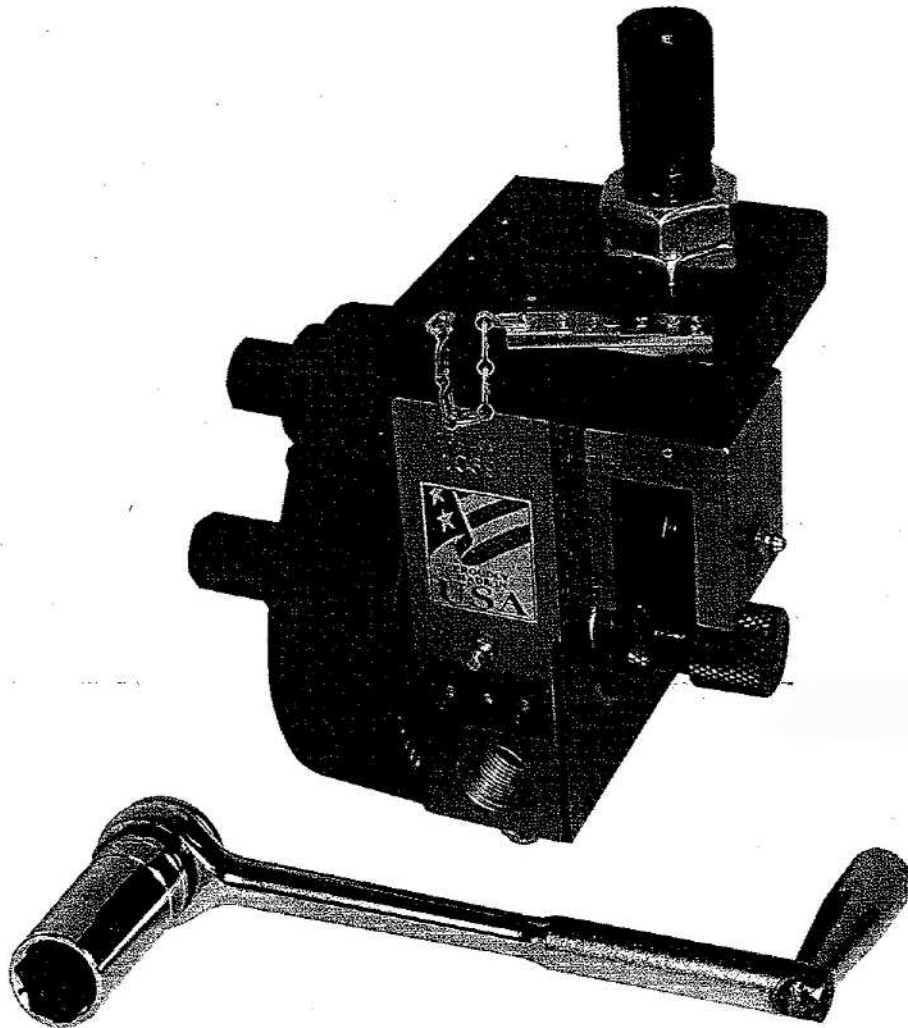
Compatibility: chuck in a Ridgid 300™

The information contained herein is produced in good faith and is believed to be reliable but is for guidance only. ARGCO and its agents cannot assume liability or responsibility for results obtained in the use of its product by persons whose methods are outside or beyond our control. It is the user's responsibility to determine the suitability of any of the products, methods of use, or preparation prior to use, mentioned in our literature. It is the user's responsibility to observe and adapt such precautions as may be advisable for the protection of personnel and property in the handling and use of any of our products.

**FOR MORE INFORMATION CALL ARGCO AT 1-800-854-1015
OR LOG ONTO WWW.ARGCO.COM**

Page Mini-Mite Roll Groovers

OPERATING INSTRUCTIONS Model 1039



PACE 
MACHINERY GROUP, INC.

PACE MODEL 1039 OPERATING INSTRUCTIONS

1. Install 3/4" NPT x 6" pipe nipples (2 required) into sides of mini-mite.
2. Insert three sided flats on back of mini-mite drive shaft into hammer chuck on Rigid 300, making sure that hammer chuck is tight on flats of shaft.
3. Insert pipe to be roll grooved over bottom roll. Make sure that pipe is against front wear plate.
- ~~4. With 15/16" wrench or socket, lower top roll so that it comes in contact, with light pressure, against the pipe.~~
5. Using groove depth gauge, set the stop nut gap for the groove depth corresponding to the size of the pipe to be grooved.
6. Running the Rigid machine in counter-clockwise rotation, start turning the 15/16" hex lead screw giving it a little turn after every revolution of the pipe. You may have to move your pipe to the right just a little as you are facing the machine to insure that the pipe does not walk off the bottom roll.
7. Groove until the depth stop nut comes into contact with the top plate.
8. Back off the lead screw, remove pipe and check your groove diameter. Every 1/4 turn of the nut upwards will make the groove smaller by 1/32 of an inch in diameter. Every 1/4 turn of the nut downward will make the groove 1/32 of an inch larger in diameter.
9. Once a week grease the two grease fittings which are on the mini-mite.

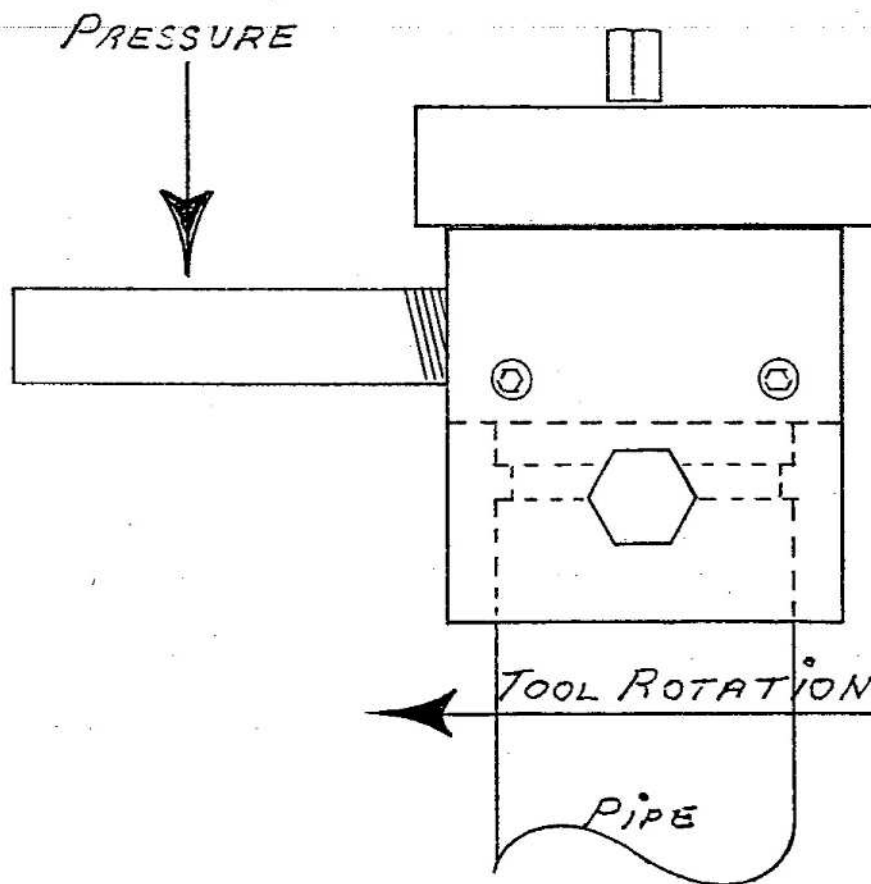
NOTE: THE MINI-MITE IS NOT INTENDED FOR PRODUCTION GROOVING. IT IS BUILT WITH HIGH ALLOY ALUMINUM AND STEEL, BUT AS A LIMITED SERVICE TOOL. ON 6" SCHEDULE 40 YOU MAY FIND AFTER ONE TO TWO GROOVES YOU MAY HAVE HIGH HEAT BUILD-UP IN THE HOUSING. ALLOW TOOL TO COOL AND REGREASE BOTTOM DRIVE SHAFT. IF IT IS NOT DONE DAMAGE MAY OCCUR TO THE BOTTOM BUSHING.

NOTE: MINI-MITE TO BE USED ONLY WITH POWER DRIVE WITH HAMMER CHUCK.

PACE MODEL 1039 ADDITIONAL OPERATING INSTRUCTIONS

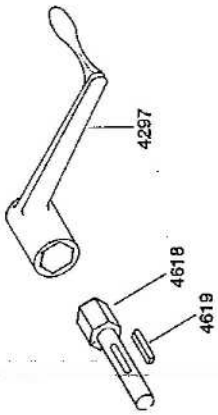
NOTE: MODEL 1039

To insure that the 1039 Mini-Mite does not run off the pipe end, do the following step. Place one 3/4" x 6" pipe nipple into the support rod hole, that is, on the leading side. The side of the unit in the direction you are rotating. As you wind the tool around the pipe, apply pressure on the nipple toward the pipe face. This will ensure that the tool will not want to run off the pipe end.

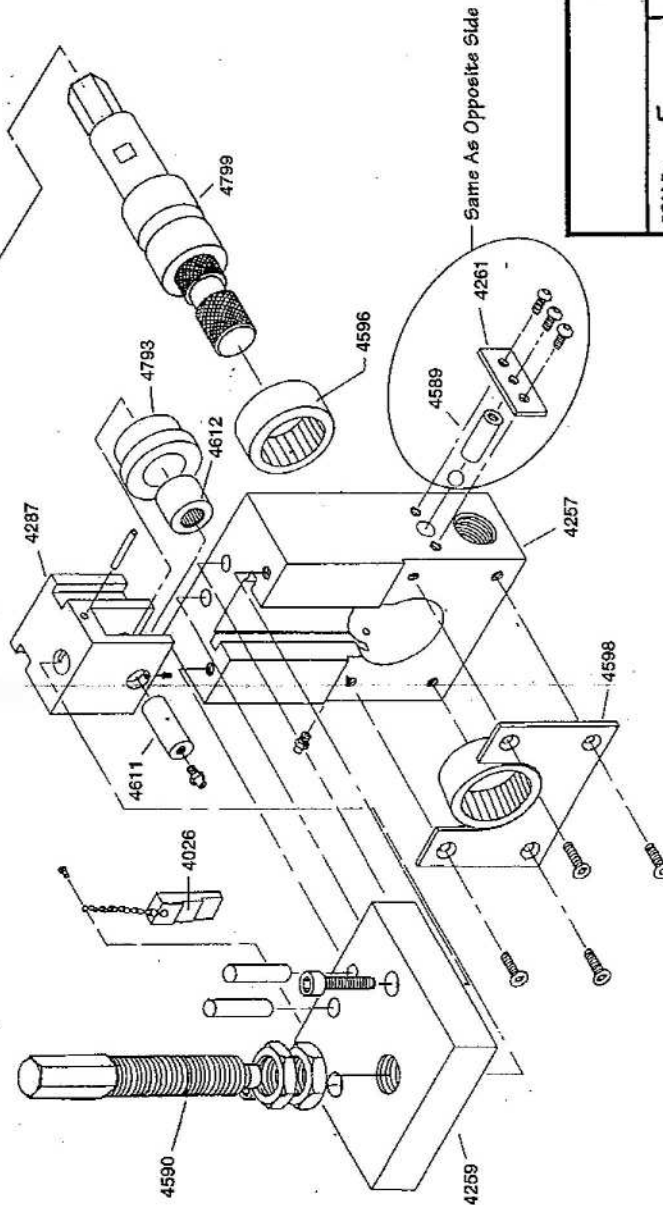
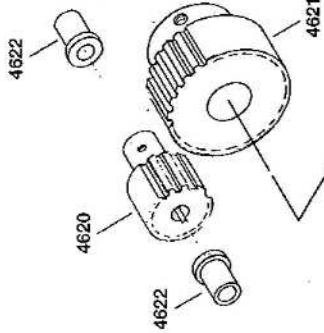
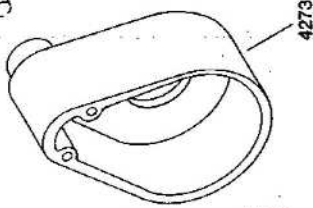


PACE
MACHINERY GROUP, INC.

ARGCO



p/n 4295 Crank Handle (old style)
p/n 4297 Ratchet (new style)



Note:
4798—Idler Roll with Bearing Copper
4800—Drive Shaft Copper
4021—Depth Gauge Copper

PACE MACHINERY

SCALE: .5	APPROVED BY:	DRAWN BY: M.L.M.
DATE: 2-22-90	REVISED:	
MINI-MITE ROLL GROOVER		
ASSEMBLY MODEL 1039		
DRAWING NUMBER		



FOR MORE INFORMATION CALL ARGCO AT 1-800-854-1015
OR LOG ONTO WWW.ARGCO.COM