

data sheet

ARGCO



CORROSION RESISTANT REPLACEMENT ESCUTCHEONS PLASTIC SHIM RING



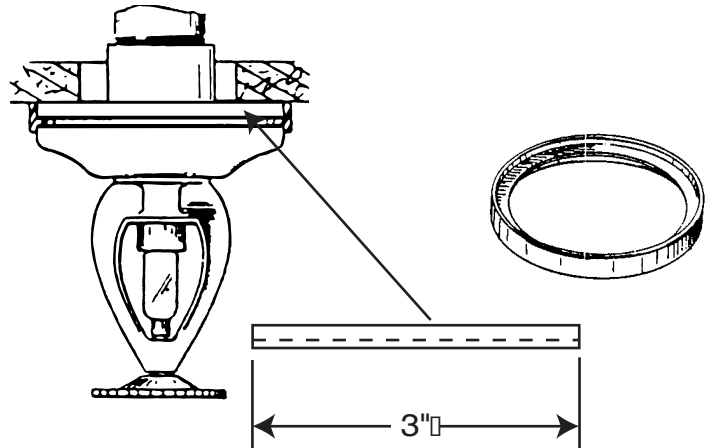
Plastic Shim Ring

Inserted between ceiling and escutcheon - adds 1/8" or 1/4" depth to one piece canopies.

Manufactured from light weight injection molded plastic and are of single piece construction and rustproof.

They are suitable for both interior and exterior uses and are highly recommended in corrosive environments.

Available Chrome Plated or White



45-20-252: chrome plated

45-20-252WH: white

The information contained herein is produced in good faith and is believed to be reliable but is for guidance only. ARGCO and its agents cannot assume liability or responsibility for results obtained in the use of its product by persons whose methods are outside or beyond our control. It is the user's responsibility to determine the suitability of any of the products, methods of use, or preparation prior to use, mentioned in our literature. It is the user's responsibility to observe and adapt such precautions as may be advisable for the protection of personnel and property in the handling and use of any of our products.

**FOR MORE INFORMATION CALL ARGCO AT 1-800-854-1015
OR LOG ONTO WWW.ARGCO.COM**