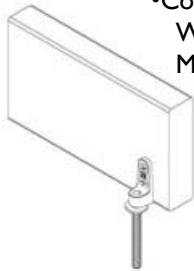
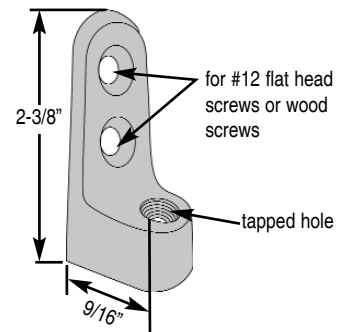


### SIDE BEAM CONNECTOR



**Malleable Iron Side Beam Connector**

- Surface Finish: Black, Electro-zinc plated available
- Pre-threaded structural attachment fastened to wall or the side of a joist to support hanger rod where two Wood Drive Screws are necessary for proper support
- Complies with Federal Specification WW-H-171E & A-A-1192A Type 35 and Manufacturers Standardization Society MSS SP-69 & SP-58 Type 34.



Item #	ROD SIZE	MAX. LOAD CAP.	CROSS REFERENCE	
			ERICO®	B-LINE®
25-30-250	250#	250#	2370037PL	B3058-3/8
25-30-250Z	250#	250#	2370037Z	B3058-3/8

The information contained herein is produced in good faith and is believed to be reliable but is for guidance only. ARGCO and its agents cannot assume liability or responsibility for results obtained in the use of its product by persons whose methods are outside or beyond our control. It is the user's responsibility to determine the suitability of any of the products, methods of use, or preparation prior to use, mentioned in our literature. It is the user's responsibility to observe and adapt such precautions as may be advisable for the protection of personnel and property in the handling and use of any of our products.

**FOR MORE INFORMATION CALL ARGCO AT 1-800-854-1015  
OR LOG ONTO WWW.ARGCO.COM**