

SWAY BRACING TP280

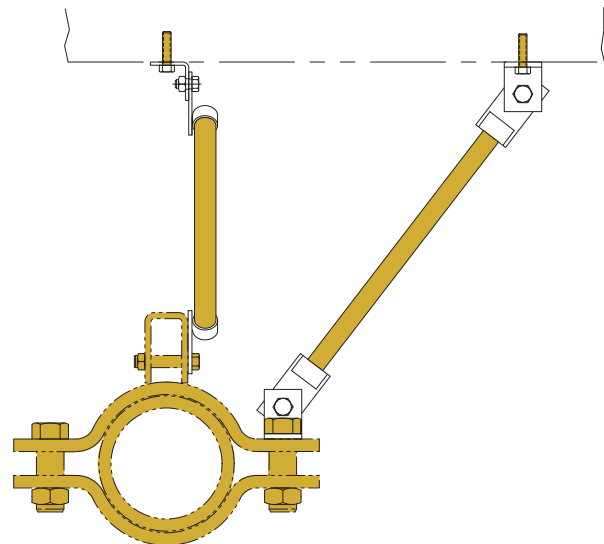
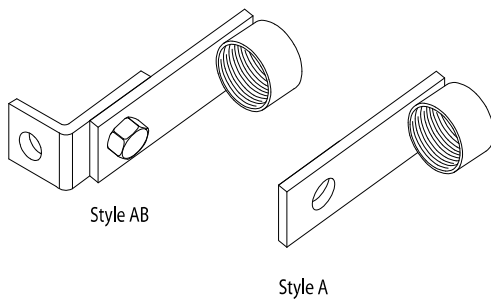
Threaded Sway Brace Fitting

- Size Range: 1" pipe
- Surface Finish: Black or Electro-zinc plated
- Used with Models: #400, #450, #610, and any length of 1" pipe to restrain pipe from swaying during an earthquake

NOTE: Electro-zinc plated available by special order



Part Number	Pipe Size	Style
Plain Finish		
TP2800100PL	1"	AB
TP280P0100PL	1"	A



UL® LISTED LOAD CHART FOR ERICO® SWAY BRACES

Nominal ASTM Pipe Size	ASTM Schedule or Type*	Schedule 40 Sway Brace Pipe Size**	UL Min. Required Load-Ref. UL 203A***	ERICO Clamps UL Listed Loads (lbs)							
				Model TP220	Model TP220G	Model TP225	Model TP225G	Model TP230	Model TP230G	Model TP235	Model TP240
2"	10 - 40	1" or 1-1/4"	380	380	N/A	1100	3660	1575	N/A	1100	935
2-1/2"	10 - 40	1" or 1-1/4"	395	395	N/A	1100	3660	1575	N/A	1100	935
3"	10 - 40	1" or 1-1/4"	435	435	N/A	1100	3660	1575	N/A	1100	935
3-1/2"	10 - 40	1" or 1-1/4"	540	540	N/A	1100	3660	1575	N/A	1100	935
4"	10 - 40	1" or 1-1/4"	655	655	1740	1100	3660	N/A	3660	1100	935
5"	10 - 40	1" or 1-1/4"	935	935	1880	1100	3660	N/A	3660	1100	935
6"	10 - 40	1" or 1-1/4"	1265	N/A	2610	N/A	3660	N/A	3660	N/A	N/A
8"	10 - 40	1" or 1-1/4"	2015	N/A	3660	N/A	3660	N/A	3660	N/A	N/A

*ERICO Sway Braces are UL® tested and Listed for use with ASTM® schedule 10 through 40 brace pipe

**ERICO Sway Braces meet the full UL rated load when used with 1" or 1-1/4" schedule 40 brace pipe

***ERICO Sway Braces meet the UL requirement that lateral braces must support a load equal to 1-1/2 times the rated load without slippage