

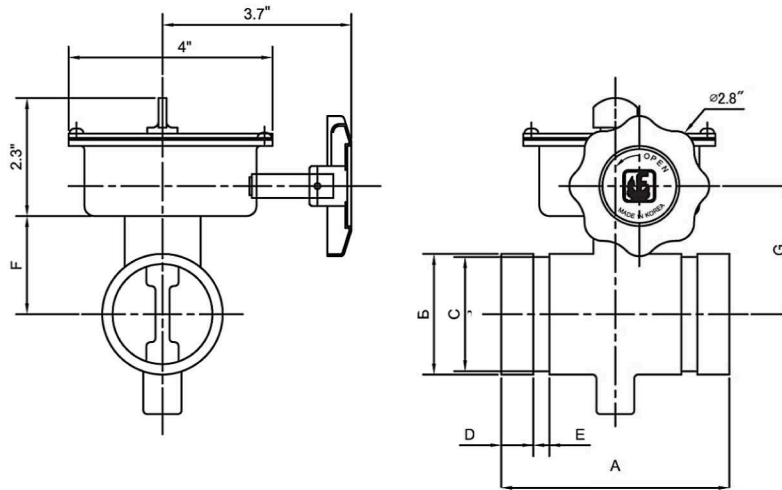
Butterball Valves (Grooved)

Technical Features

- **Connections:** Grooved Ends (AWWA C606)
- **Sizes:** 2", 2-1/2"
- **Approvals:** UL, ULC, FM, and California State Fire Marshal
- **Maximum Working Pressure:** 175PSI (Max. Test Pressure: 350PSI)
- **Maximum Working Temperature:** 250°F (120°C)
- **Application:** Indoor and Outdoor Use
- **Factory-Installed Supervisory Tamper Switch Assembly**



Component	Material	Specification
Body	Bronze	ASTM B505
Disc	Aluminum Bronze	ASTM B548
Disc Encapsulation	EPDM Rubber	ASTM D2000
Indicator	Brass	ASTM B16
Housing	Steel	ASTM A619
Handwheel	Steel	ASTM A619
Stem	Stainless Steel	ASTM A564 Type XM12



Dimensions:

Size	A		B		C		D		E		F		G		Weight lbs
	in	mm	in	mm	in	mm	in	mm	in	mm	in	mm	in	mm	
2"	4.5	114.0	2.4	60.3	2.3	57.2	0.6	16.0	0.3	8.0	1.9	49.0	2.5	64.0	5.2
2-1/2"	4.5	114.0	3.0	75.0	2.3	59.1	0.6	16.0	0.3	8.0	2.3	59.0	2.9	74.0	5.3

The information contained herein is produced in good faith and is believed to be reliable but is for guidance only. ARGCO and its agents cannot assume liability or responsibility for results obtained in the use of its product by persons whose methods are outside or beyond our control. It is the user's responsibility to determine the suitability of any of the products, methods of use, or preparation prior to use, mentioned in our literature. It is the user's responsibility to observe and adapt such precautions as may be advisable for the protection of personnel and property in the handling and use of any of our products.

FOR MORE INFORMATION CALL ARGCO AT 1-800-854-1015
OR LOG ONTO WWW.ARGCO.COM