

data sheet



"POWERBALL" BUTTERFLY VALVE (Threaded)



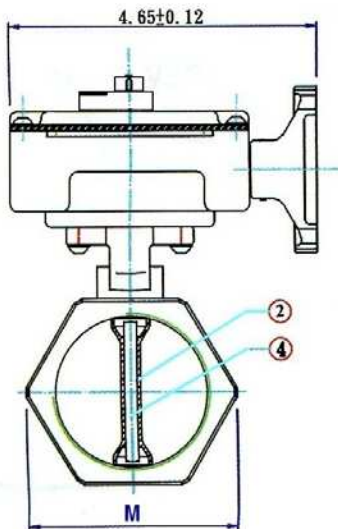
Sprinkler Control Valve for indoor and outdoor use. Brass body, chrome plated brass disc, and 300 PSI/ 20.7 Bar. UL Listed/ FM Approved. Available threaded in sizes 1" to 2-1/2" complete with Position Indicator and integral Tamper Switch.



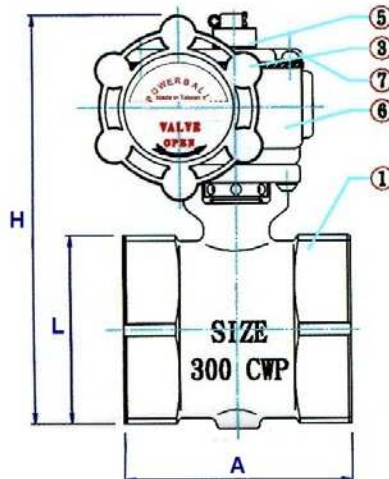
NOTE:

- Packing Gland with Adjustable Glands shall be accessible for tightening stem seals without the disassembly of the valve or operator parts U.S. Patented 6629.683.B2

MATERIAL LIST		
NO.	NAME	MATERIAL
1	BODY	BRONZE ASTM 584 C83600
2	DISC	SS304
3	HANDWHEEL	ASTM A216 WCB
4	SEAT	ASTM D2000 VITON
5	INDICATOR	POWDER METAL FD0205 95HT
6	HOUSING	FORGED BRASS JIS C3771 (REF. ASTM C37700)
7	COVER	FORGED BRASS JIS C3771 (REF. ASTM C37700)



(Threaded)

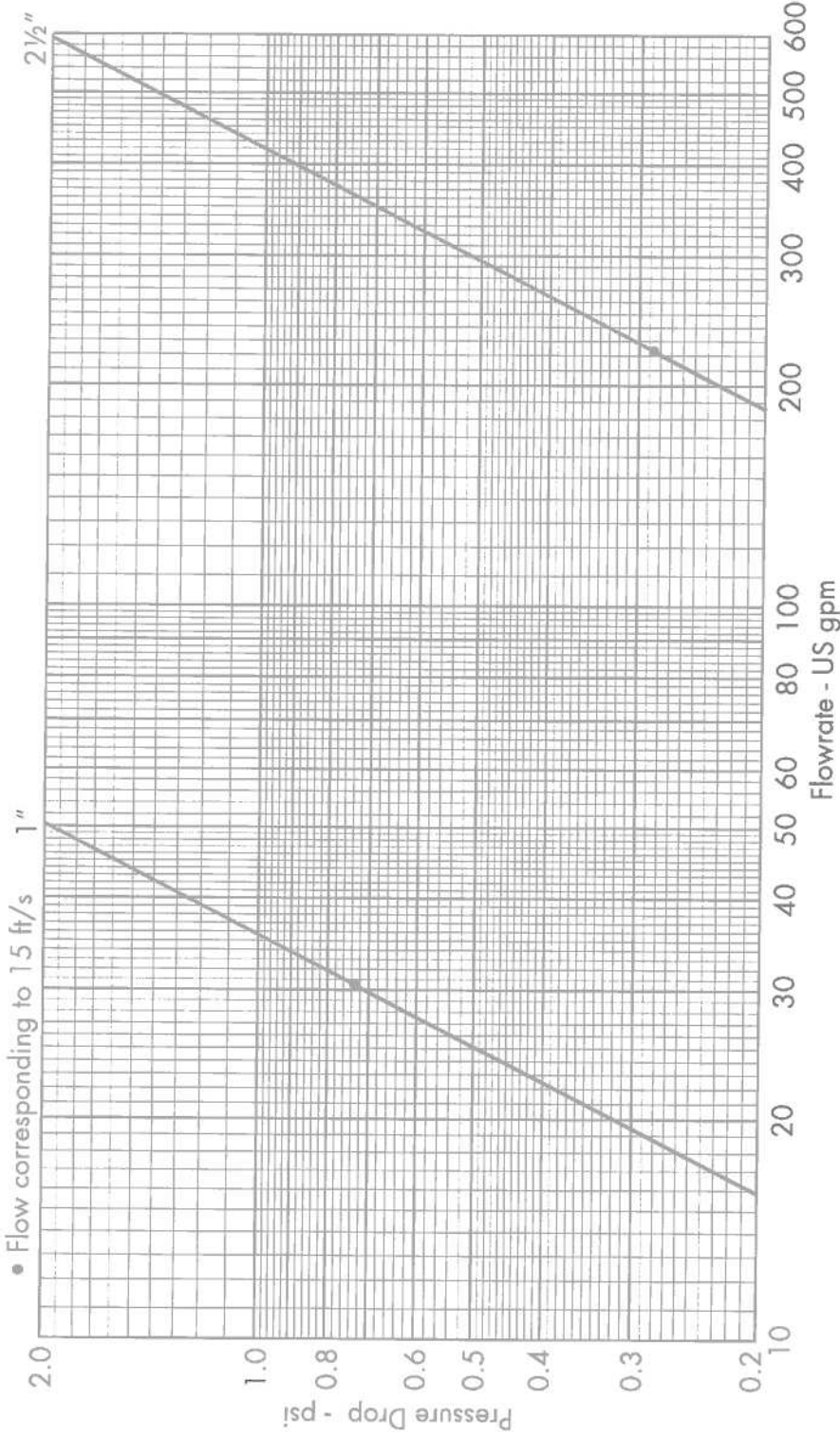


MAIN DIMENSIONS — UNIT: INCHES					
LPBT (Threaded Ends)					
SIZE	1"	1-1/4"	1-1/2"	2"	2-1/2"
A	2.13	2.63	2.87	3.25	4.49
H	4.94	5.13	5.59	6.13	6.58
L	1.56	1.94	2.19	2.76	3.41
M	1.75	2.17	2.37	3.11	3.78

The information contained herein is produced in good faith and is believed to be reliable but is for guidance only. ARGCO and its agents cannot assume liability or responsibility for results obtained in the use of its product by persons whose methods are outside or beyond our control. It is the user's responsibility to determine the suitability of any of the products, methods of use, or preparation prior to use, mentioned in our literature. It is the user's responsibility to observe and adapt such precautions as may be advisable for the protection of personnel and property in the handling and use of any of our products.

**FOR MORE INFORMATION CALL ARGCO AT 800-854-1015
OR LOG ONTO ARGCO.COM**

YS-2811A



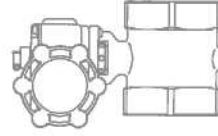
$$Cv = \frac{Q}{\sqrt{\Delta p}}$$

Cv = Valve coefficient

Q = Quantity in US gpm

Δp = Pressure Loss in psi

Size	Units	1"	2 1/2"
Cv	US gpm @ 1 psi	35.6	418.6
Flow @ 15 ft/s	US gpm	1.29	223.8



Y.S. VALVE

© Y.S. Hardware Company Ltd. 2011

Y. S. Hardware Company Ltd.

No. 30 Tou-Lung Lanne, Tou-Lung Li, Lukang

Changshau 505, Taiwan (R.O.C)

Tel. 886-47712691 ~2 Fax. 886-47712693

Email. yshht@ms66.hinet.net

Web. www.yvalve.com.tw

**Fire Protection - Slow Closing
Threaded Butterfly Valve**



UL LISTED

4317

EX15384

BUTTERFLY VALVE