

# ANGLE VALVE - RUBBER SEAT

**Brass**



- Standard installation trim and drain valves for the Fire Sprinkler Industry
- Typically used in a Trim or Drain application
- Water, oil or gas - 200 psi
- Rising stem

**Material:**

Body & Bonnet: Cast Brass  
 Rubber Seat: NBR - Rubber - N70  
 Nut: Stainless Steel  
 Stem & Washer: Brass

**Installation**

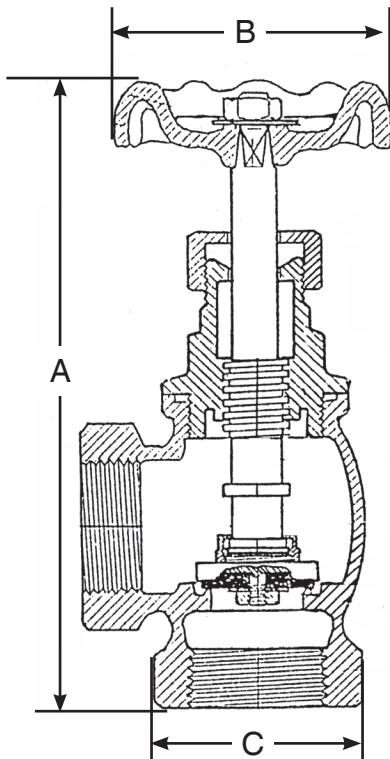
Installation can be accomplished using normal installation methods. It is important to “hold back” each component in the piping assembly to prevent over-tightening of the previously installed component. Use a suitable thread sealant such as Tuf-Glide Thread Sealant and/or PTFE Pipe Thread Tape to assure a positive seal between the valves and the installed pipe.

Caution: Do not overtighten male threads into the valve body. Thread damage or cracking of the valve body may occur.

\*Contains lead. Not for use in water systems intended for human consumption

**DIMENSIONS**

ITEM#	SIZE	A	B	C
6520080	3/4"	4.72"	2.56"	2.09"
6520085	1"	5.35"	2.56"	2.48"
6520090	1-1/4"	5.83"	2.76"	2.89"
6520095	1-1/2"	7.36"	3.11"	3.27"
6520100	2"	9.06"	3.94"	4.13"



System No.		Location		Spec Section		Paragraph	
Submitted By		Date		Approved		Date	