

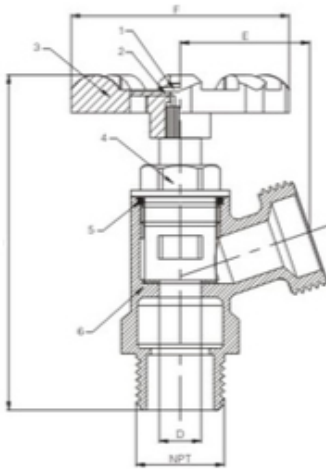
# BOILER DRAIN



**Forged Brass, Ceramic Cartridge**  
**Quick turn on and off style**

**Available Sizes**  
 • 1/2" through 3/4"

NO.	PART	SPECIFICATION
1	Screw	Steel
2	Lock Washer	Aluminum
3	Handwheel	Zinc Alloy
4	Ceramic Cartridge	(ASTM B124+China+Pastic)Mix
5	O-Ring	NBR
6	Body	ASTM B124



ITEM #	Nominal Size in	D	L	F	E
6520941	1/2"	.39	3.15	2.05	1.22
6520942	3/4"	.39	3.15	2.05	1.22

System No.		Location		Spec Section		Paragraph	
Submitted By		Date		Approved		Date	