

# GAS BALL VALVES

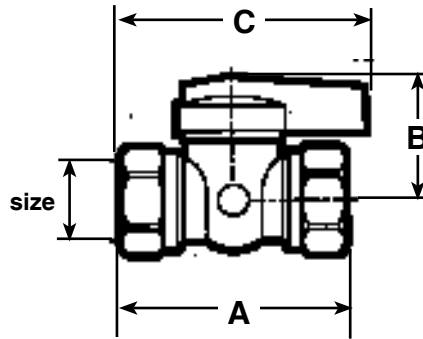


Gas Ball Valve IPS FxF TEE HANDLE  
AGA/CGA/UL

Quality forged brass construction eliminates porosity  
PTFE seats and seals

Handle - corrosion resistant dacromet finish

DIMENSIONS				
PART #	SIZE	A	B	C
65-20-902	1/2" F x F	2.35"	1.69"	1.41"
65-20-903	3/4" F x F	2.59"	1.69"	1.41"



MATERIALS	
PART	MATERIAL
FIXING SCREW	BRASS
HANDLE	COATED ALUMINUM
FIXING RING	STEEL
WASHER	STEEL
STEM	BRASS
O RING	RUBBER
SEAL	STEEL
SEAT	PTFE
BALL	C.P. STEEL
BODY	BRASS

System No.		Location		Spec Section		Paragraph	
Submitted By		Date		Approved		Date	