

300 PSI NRS Gate Valve

Grooved x Grooved



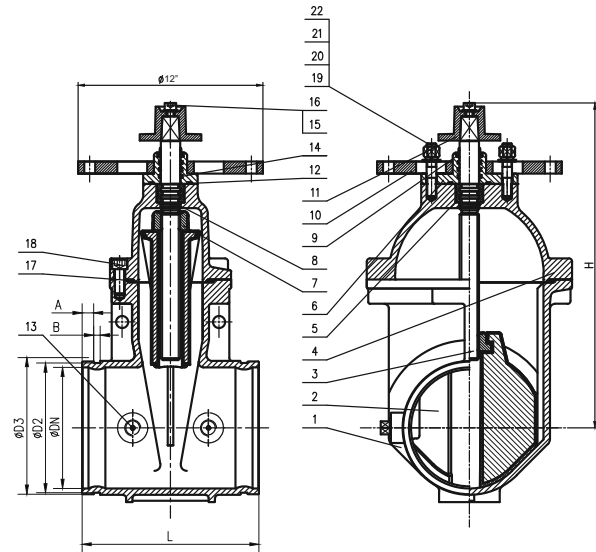
Technical Features

- **Connections:** Grooved x Grooved Ends (AWWA C606)
- **Sizes:** 2-1/2", 3", 4", 5", 6", 8", 10", 12"
- **Approvals:** UL, ULC, FM
- **Maximum Working Pressure:** 300 PSI
- **Maximum Working Temperature:** 250°F (120°C)
- **Type:** Resilient Wedge, Non-Rising Stem
- **Finish:** Epoxy Coated Interior and Exterior
- Indicator Post Pattern
- **Specifications:** Design and Dimensions Conform to AWWA C515



Model: 3288-300-GG

Component	Material	Specification
1	Body	Ductile Iron ASTM A536 65-45-12
2	Resilient Wedge	Ductile Iron EPDM Coated ASTM A536 65-45-12 + EPDM
3	Stem	Stainless Steel AISI S5304 / S5302
4	Bonnet	Ductile Iron ASTM A536 65-45-12
5	Thrust Collar	Copper ASTM C51100
6	Gland	Ductile Iron ASTM A536 65-45-12
7	Wedge Nut	Bronze ASTM B62
8	O Ring	EPDM ASTM D2000 EPDM
9	Dustproof Cover	EPDM ASTM D2000 EPDM
10	Post Flange	Ductile Iron ASTM A536 65-45-12
11	Wrench Nut	Ductile Iron ASTM A536 65-45-12
12	O Ring	EPDM ASTM D2000 EPDM
13	Plug	Brass ASTM B16
14	O Ring	EPDM ASTM D2000 EPDM
15	Washer	Stainless Steel ASTM SS316
16	Hex Socket Cap Screw	Stainless Steel ASTM SS316
17	Gasket	EPDM ASTM D2000 EPDM
18	Hex Socket Cap Screw	Steel Gr 8.8
19	Nut	Stainless Steel ASTM SS316
20	Studs	Stainless Steel ASTM SS316
21	Spring Washer	Stainless Steel ASTM SS316
22	Washer	Stainless Steel ASTM SS316



Dimensions

Size		L	H	ØD3	ØD2	B	A
2 1/2	mm	190	295	73	68.9	8	15.9
	inch	7.5	11.6	2.9	2.7	0.3	0.6
3	mm	203	323	88.9	84.7	8	15.9
	inch	8	12.7	3.5	3.3	0.3	0.6
4	mm	229	342	143	109.8	9.5	15.9
	inch	9	13.5	5.6	4.3	0.4	0.6
5	mm	254	408	141.3	136.8	9.5	15.9
	inch	10	16.1	5.6	5.4	0.4	0.6
6	mm	267	440	168.3	163.7	9.5	15.9
	inch	10.5	17.3	6.6	6.4	0.4	0.6
8	mm	292	537	219.1	214.1	11	19
	inch	11.5	21.1	8.6	8.4	0.4	0.7
10	mm	330	640	273	268	12.7	19
	inch	13	25.2	10.7	10.6	0.5	0.7
12	mm	356	723	323.9	317.9	12.7	19
	inch	14	28.5	12.8	12.5	0.5	0.7

System No.		Location		Spec Section		Paragraph	
Submitted By		Date		Approved		Date	