

# STANDARD PIPE CLAMPS



Used to suspend non-insulated pipe lines

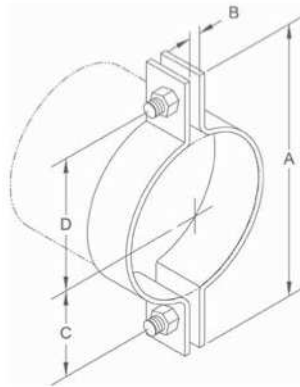
Carbon steel

Standard Duty

- Surface Finish: Black, Zinc Plated
- Industrial pipe hanger for hot or cold service where no insulation is required

1" to 8" (Item # 25-50-345 series)

Nominal Pipe Size	ITEM #	MAX REC LOAD (LBS.)	CROSS REFERENCE TOLCO®
1"	25-50-245-1	445	010674
1-1/4"	25-50-245-1-1/4	715	010698
1-1/2"	25-50-245-1-1/2	930	010711
2"	25-50-245-2	930	010735
2-1/2"	25-50-245-2-1/2	930	010759
3"	25-50-245-3	930	010773
4"	25-50-245-4	930	010810
6"	25-50-245-6	1110	010858
8"	25-50-245-8	1440	010872



Pipe Size	DIMENSIONS				
	A	B	C	D	BOLT SIZE
1"	3-9/16"	1/4"	1-1/4"	1-5/16"	5/16"
1-1/4"	4-3/16"	3/8"	1-3/8"	1-11/16"	5/16"
1-1/2"	4-9/16"	3/8"	1-5/8"	1-7/8"	5/16"
2"	5-9/16"	3/8"	2"	2-1/4"	3/8"
2-1/2"	6-7/16"	3/8"	2-1/2"	2-3/4"	1/2"
3"	7"	3/8"	2-3/4"	3-1/16"	1/2"
4"	8-1/2"	5/8"	3-5/16"	3-11/16"	1/2"
6"	11-5/8"	3/4"	4-7/8"	5-1/8"	3/4"
8"	13-5/16"	1"	5-5/8"	6"	3/4"

System No.		Location	
Submitted By		Date	

Spec Section		Paragraph	
Approved		Date	