

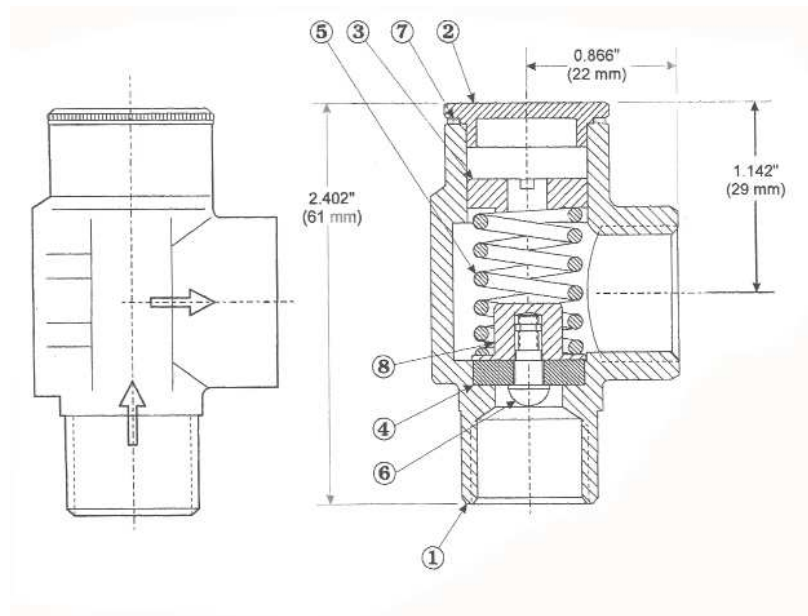
PRESSURE RELIEF VALVE



Non-Adjustable 175 PSI Pressure Relief Valve 1/2" x 1/2"
(150 per case)

- Single setting, non-adjustable, designed to release system pressure at 175 psi.
- Bronze construction w/ Rubber seat.
- Designed for use in grid systems or any sprinkler system where pressure relief is required.

- 1) Body: Cast Brass
- 2) Cap: Brass
- 3) Adjustable Cap: Brass
- 4) Seal: Rubber
- 5) Spring: Stainless Steel
- 6) Screw: Brass
- 7) Washer: Fiber
- 8) Seal Seat: Brass



item number 6520161: Pressure Relief Valve 1/2" IPS (175 psi) Angle Pattern

The information contained herein is produced in good faith and is believed to be reliable but is for guidance only. ARGCO and its agents cannot assume liability or responsibility for results obtained in the use of its product by persons whose methods are outside or beyond our control. It is the user's responsibility to determine the suitability of any of the products, methods of use, or preparation prior to use, mentioned in our literature. It is the user's responsibility to observe and adapt such precautions as may be advisable for the protection of personnel and property in the handling and use of any of our products.

**FOR MORE INFORMATION CALL ARGCO AT 1-800-854-1015
OR LOG ONTO WWW.ARGCO.COM**