

WAFER CHECK VALVE

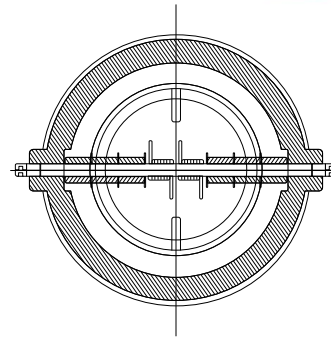
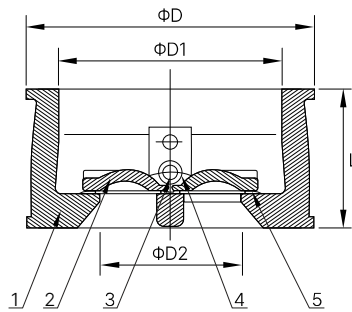


Technical Features

- **Connections Ends:** ASME B16.1 CL 125, ASME B16.5 CL 150
- **Sizes:** 2", 2½", 3", 4", 5", 6", 8", 10", 12", 14", 16"
- **Approvals:** UL, ULC, FM, Complies with NSF/ANSI 61, NSF/ANSI 372
- **Maximum Working Pressure:** 300PSI
200PSI and 250PSI available upon request
- **Temperature Range:** 0°C to 100°C
- **Coating:** Fusion Bonded Epoxy Coating in accordance with ANSI/AWWA C550



Components		Standard Specification
1	Valve Body	ASTM A536 Gr. 65-45-12
2	Disc	AISI 316
3	Stem	AISI 420
4	Spring	AISI 304
5	Rubber Seat	EPDM



Dimensions

DN		L		D		D1		D2		Weight
in	mm	in	mm	in	mm	in	mm	in	mm	lbs
2"	50	2.1	54	4.1	106	2.6	68	1.8	46	3.77
2½"	65	2.3	60	5.0	127	3.0	78	2.3	60	5.51
3"	80	2.2	57	5.2	134	4.0	102	2.7	70	6.32
4"	100	2.6	67	6.3	162	4.6	117	3.3	84	10.00
5"	125	3.2	83	7.6	194	5.7	145	4.5	115	16.20
6"	150	3.7	95	8.5	218	6.6	170	5.2	134	23.00
8"	200	5.0	127	10.9	277	8.8	226	7.2	184	39.50
10"	250	5.5	140	13.2	336	10.4	265	8.6	220	70.00
12"	300	7.1	181	15.9	406	12.2	310	10.2	260	113.50
14"	350	7.2	184	17.5	447	14.1	360	11.8	302	151.61
16"	400	7.5	191	19.8	505	16.1	410	13.7	350	202.14

System No.		Location		Spec Section		Paragraph	
Submitted By		Date		Approved		Date	